

# CONTENTS

<b>CHANNEL NUTS</b>	-	<b>PAGE 4</b>
<b>PIPE CLAMPS</b>	-	<b>PAGE 7</b>
<b>FLAT FITTINGS</b>	-	<b>PAGE 12</b>
<b>90° FITTINGS</b>	-	<b>PAGE 15</b>
<b>ANGLE FITTINGS</b>	-	<b>PAGE 18</b>
<b>U SHAPE FITTINGS</b>	-	<b>PAGE 20</b>
<b>Z SHAPE FITTINGS</b>	-	<b>PAGE 23</b>
<b>WING FITTINGS</b>	-	<b>PAGE 24</b>
<b>POST BASES</b>	-	<b>PAGE 28</b>
<b>BRACES &amp; BRACKETS</b>	-	<b>PAGE 30</b>
<b>MISCELLANEOUS HARDWARE</b>	-	<b>PAGE 35</b>
<b>BEAM CLAMPS</b>	-	<b>PAGE 42</b>
<b>THREADED ROD</b>	-	<b>PAGE 46</b>
<b>U-BOLTS</b>	-	<b>PAGE 47</b>
<b>INDEX</b>	-	<b>PAGE 49</b>

**V.10.11**

EUGENE FASTENER & SUPPLY CO.  
595 WILSON STREET  
EUGENE, OR 97402



PHONE: 541-342-5978  
TOLL FREE: 800-929-5978  
FAX: 541-342-1385

THIS PAGE INTENTIONALLY LEFT BLANK





EUGENE FASTENER & SUPPLY CO.  
595 WILSON STREET  
EUGENE, OR 97402

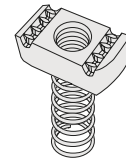
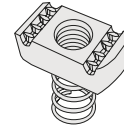
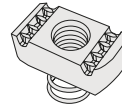
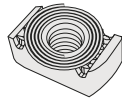
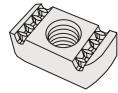


PHONE: 541-342-5978  
TOLL FREE: 800-929-5978  
FAX: 541-342-1385

10.11

# CHANNEL NUTS

STANDARD FINISH: E/G  
ALSO AVAILABLE: HDG



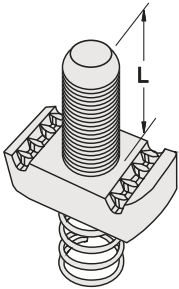
SIZE	THICK	NO SPRING ALL CHANNEL 100 PCS/CTN	TOP SPRING ALL CHANNEL 100 PCS/CTN	SHORT SPRING 13/16 CHANNEL 100 PCS/CTN	REGULAR SPRING 1-5/8 CHANNEL 100 PCS/CTN	LONG SPRING 3-1/4 DEEP CHANNEL 50 PCS/CTN
8-32	1/4	4162	4142	4130	4115	4101
10-32	1/4	4163	4143	4131	4116	4102
10-24	1/4	4164	4144	4132	4117	4103
1/4-20	1/4	4165	4145	4133	4118	4104
5/16-18	3/8	4166	4146	4134	4119	4105
5/16-18	1/4	4167	-	4135	4120	-
3/8-16	3/8	4168	4147	4136	4121	4106
3/8-16	1/4	4169	4148	4137	4122	4107
7/16-14	3/8	4170	-	4138	4123	4108
1/2-13	1/2	4171	4149	-	4124	4109
1/2-13	3/8	4172	4150	4139	4125	4110
5/8-11	7/16	4173	-	-	4126	4111
5/8-11	3/8	4174	-	4140	-	-
3/4-10	7/16	4175	-	-	4127	4112
7/8-9	7/16	4176	-	-	4128	-
M6-1	1/4	4208	-	4202	4195	4190
M8-1.25	1/4	4209	-	4203	4196	4191
M10-1.5	3/8	4210	-	4204	4197	4192
M12-1.75	3/8	4211	-	4205	4198	4193
M12-1.75	1/2	4212	-	-	4199	-

## 316 STAINLESS STEEL

1/4-20	1/4	4165S2	-	4133S2	4118S2	-
1/4-20	3/8	4165S2	-	4133S2	4118S2	4104S2
5/16-18	3/8	4166S2	-	4134S2	4119S2	-
3/8-16	3/8	4168S2	-	4136S2	4121S2	4106S2
1/2-13	3/8	4172S2	-	4139S2	4125S2	-
1/2-13	1/2	4171S2	-	-	4124S2	4109S2
5/8-11	1/2	4173S2	-	-	4126S2	-
3/4-10	1/2	4175S2	-	-	4127S2	-
7/8-9	1/2	4176S2	-	-	4128S2	-

# CHANNEL NUTS

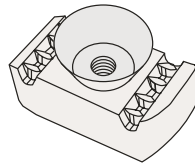
## REGULAR SPRING CHANNEL NUTS W/ STUD



SIZE	NUT THICKNESS	STUD LENGTH	PART #	QTY./CTN	WGT./100
1/4-20	1/4"	1	423416	50	7
		1-1/4	423420	50	8
		1-1/2	423424	50	8
3/8-16	3/8"	1	423516	50	11
		1-1/4	423520	50	12
		1-1/2	423524	50	13
1/2-13	1/2"	1	423616	50	17
		1-1/4	423620	50	18
		1-1/2	423624	50	19

## EZ NUTS

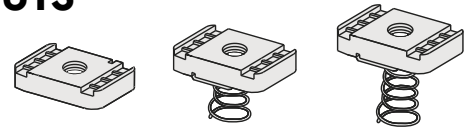
FOR ALL CHANNEL



SIZE	NUT THICKNESS	PART #	QTY./CTN.	WGT./100
1/4	3/8"	4145EZ	100	9
3/8	3/8"	4147EZ	100	9
1/2	3/8"	4149EZ	100	8

## MINI NUTS

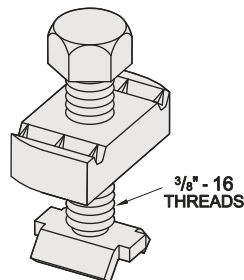
FOR JUNIOR CHANNEL



SIZE	NO SPRING 200 PCS/CTN	SHORT SPRING 200 PCS/CTN	LONG SPRING 200 PCS/CTN
8-32	-	4184	4180
10-32	41872	4185	4181
10-24	41874	4186	4182
1/4-20	4188	4187	4183

## SEISMIC ROD STIFFENER

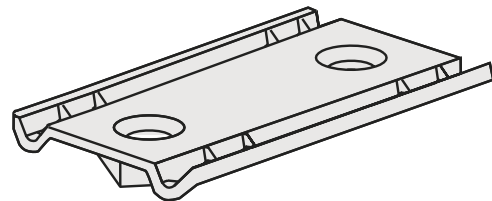
FOR 3/8" - 5/8" THREADED ROD



4930

100/CTN  
16 LBS/100

## 3/8" DOUBLE CONVEYOR ADJUSTING NUT



4857

50/CTN  
17 LBS/100

# TECHNICAL DATA

OUTSIDE DIAMETER OF ELECTRICAL CONDUIT/STEEL PIPE						
SIZE	EMT		IMC		RIGID/STEEL PIPE	
	DECIMAL	FRACTION	DECIMAL	FRACTION	DECIMAL	FRACTION
1/2	0.706	11/16	0.815	13/16	0.840	13/16
3/4	0.922	15/16	1.029	1	1.050	1-1/16
1	1.163	1-3/16	1.290	1-5/16	1.315	1-5/16
1-1/4	1.510	1-1/2	1.638	1-5/8	1.660	1-11/16
1-1/2	1.740	1-3/4	1.883	1-7/8	1.900	1-7/8
2	2.197	2-3/16	2.360	2-3/8	2.375	2-3/8
2-1/2	2.875	2-7/8	2.857	2-7/8	2.875	2-7/8
3	3.500	3-1/2	3.476	3-1/2	3.500	3-1/2
3-1/2	4.000	4	3.971	4	4.000	4
4	4.500	4-1/2	4.466	4-7/16	4.500	4-1/2
5	-	-	-	-	5.563	5-9/16

**TIP:**

“Universal clamps can be used with both EMT and RIGID pipe - BUT - for the best possible fit, specify either EMT or RIGID sizes.”

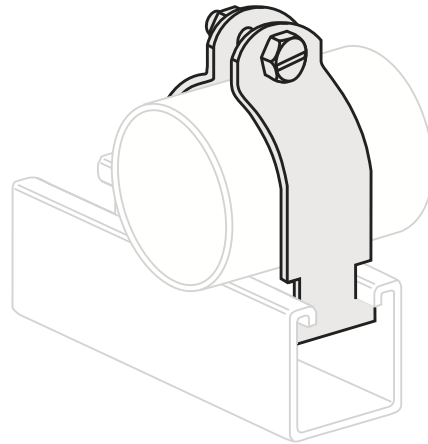


OUTSIDE DIAMETER OF COPPER TUBE		
NOMINAL SIZE	TYPE M, L, K	
	DECIMAL	FRACTION
1/4"	0.375	3/8
3/8"	0.500	1/2
1/2"	0.625	5/8
3/4"	0.875	7/8
1"	1.125	1-1/8
1-1/4"	1.375	1-3/8
1-1/2"	1.625	1-5/8
2"	2.125	2-1/8
2-1/2"	2.625	2-5/8
3"	3.125	3-1/8
3-1/2"	3.625	3-5/8
4"	4.125	4-1/8
5"	5.125	5-1/8
6"	6.125	6-1/8
8"	8.125	8-1/8

# PIPE CLAMPS

## PIPE CLAMPS - ASSEMBLED

- UNIVERSAL
- EMT
- RIGID



PIPE SIZE	CTN. QTY.	WGT./100	UNIVERSAL	EMT	RIGID	
1/2	100	10	4301	4311	4322	
3/4	100	12	4302	4312	4323	
1	100	14	4303	4313	4324	
1-1/4	100	17	4304	4314	4325	
1-1/2	50	26	4305	4315	4326	
2	50	29	4306	4316	4327	
2-1/2	50	36	<b>USE RIGID SIZES</b>			4328
3	50	40				4329
3-1/2	25	57				4330
4	25	61				4331
5	25	73				4332
6	25	83				4333
7	25	115				4334
8	25	128				4335
10	25	143				4336
12	25	174				4337

STANDARD FINISH - EG ALSO AVAILABLE: STAINLESS STEEL & ALUMINUM

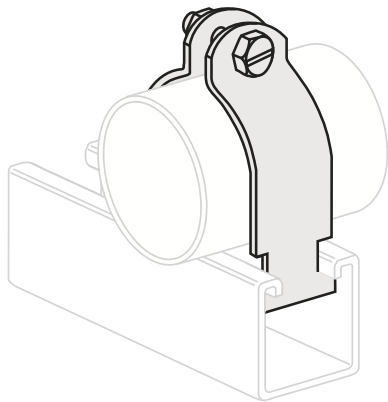
10.11

EUGENE FASTENER & SUPPLY CO.  
595 WILSON STREET  
EUGENE, OR 97402



PHONE: 541-342-5978  
TOLL FREE: 800-929-5978  
FAX: 541-342-1385

# OD PIPE CLAMPS



O.D. SIZE	PART #	QTY./CTN.	WGT. /100
1/4	4340	100	7
3/8	4341	100	8
1/2	4342	100	8
5/8	4343	100	9
3/4	4344	100	10
7/8	4345	100	11
1	4346	100	12
1-1/8	4347	100	14
1-1/4	4348	100	15
1-3/8	4349	100	16
1-1/2	4350	100	17
1-5/8	4351	50	18
1-3/4	4352	50	26
1-7/8	4353	50	28
2	4354	50	29
2-1/8	4355	50	29
2-1/4	4356	50	32
2-3/8	4357	50	32
2-1/2	4358	50	33
2-5/8	4359	50	34
2-3/4	4360	50	35
2-7/8	4361	50	36
3	4362	50	37
3-1/8	4363	50	38
3-1/4	4364	50	40
3-3/8	4365	50	42
3-1/2	4366	50	45
3-5/8	4367	25	54
3-3/4	4368	25	56
3-7/8	4369	25	57
4	4370	25	58
4-1/8	4371	25	60
4-1/4	4372	25	61
4-3/8	4373	25	62
4-1/2	4374	25	63

STANDARD FINISH - EG ALSO AVAILABLE: STAINLESS STEEL & ALUMINUM

10.11



# OD PIPE CLAMPS

O.D. SIZE	PART #	QTY./CTN.	WGT. /100
4-5/8	<a href="#">4375</a>	25	64
4-3/4	<a href="#">4376</a>	25	65
4-7/8	<a href="#">4377</a>	25	66
5	<a href="#">4378</a>	25	67
5-1/8	<a href="#">4379</a>	25	69
5-1/4	<a href="#">4380</a>	25	70
5-3/8	<a href="#">4381</a>	25	74
5-1/2	<a href="#">4382</a>	25	76
5-5/8	<a href="#">4383</a>	25	83
5-3/4	<a href="#">4384</a>	25	87
5-7/8	<a href="#">4385</a>	25	88
6	<a href="#">4386</a>	25	90
6-1/8	<a href="#">4387</a>	25	91
6-1/4	<a href="#">4388</a>	25	92
6-3/8	<a href="#">4389</a>	25	93
6-1/2	<a href="#">4390</a>	25	94
6-5/8	<a href="#">4391</a>	25	96
6-3/4	<a href="#">4392</a>	25	97
6-7/8	<a href="#">4393</a>	25	98
7	<a href="#">4394</a>	25	101
7-1/8	<a href="#">4395</a>	25	103
7-1/4	<a href="#">4396</a>	25	104
7-3/8	<a href="#">4397</a>	25	105
7-1/2	<a href="#">4398</a>	25	106
7-5/8	<a href="#">4399</a>	25	107
7-3/4	<a href="#">4400</a>	25	111
7-7/8	<a href="#">4401</a>	25	112
8	<a href="#">4402</a>	25	113
8-1/8	<a href="#">4403</a>	25	114
8-1/4	<a href="#">4404</a>	25	115
8-3/8	<a href="#">4405</a>	25	116
8-1/2	<a href="#">4406</a>	25	117
8-5/8	<a href="#">4407</a>	25	118

O.D. SIZE	PART #	QTY./CTN.	WGT. /100
8-3/4	<a href="#">440701</a>	25	119
8-7/8	<a href="#">440702</a>	25	120
9	<a href="#">440703</a>	25	121
9-1/8	<a href="#">440704</a>	25	123
9-1/4	<a href="#">440705</a>	25	124
9-3/8	<a href="#">440706</a>	25	126
9-1/2	<a href="#">440707</a>	25	128
9-5/8	<a href="#">440708</a>	25	131
9-3/4	<a href="#">440709</a>	25	132
9-7/8	<a href="#">440710</a>	25	135
10	<a href="#">440711</a>	25	136
10-1/8	<a href="#">440712</a>	25	137
10-1/4	<a href="#">440713</a>	25	138
10-3/8	<a href="#">440714</a>	25	140
10-1/2	<a href="#">440715</a>	25	143
10-5/8	<a href="#">440716</a>	25	145
10-3/4	<a href="#">4408</a>	25	146
10-7/8	<a href="#">440801</a>	25	146
11	<a href="#">440802</a>	25	146
11-1/8	<a href="#">440803</a>	25	148
11-1/4	<a href="#">440804</a>	25	150
11-3/8	<a href="#">440805</a>	25	151
11-1/2	<a href="#">440806</a>	25	153
11-5/8	<a href="#">440807</a>	25	154
11-3/4	<a href="#">440808</a>	25	156
11-7/8	<a href="#">440809</a>	25	157
12	<a href="#">440810</a>	25	158
12-1/8	<a href="#">440811</a>	25	160
12-1/4	<a href="#">440812</a>	25	161
12-3/8	<a href="#">440813</a>	25	162
12-1/2	<a href="#">440814</a>	25	164
12-5/8	<a href="#">440815</a>	25	165
12-3/4	<a href="#">4409</a>	25	174

STANDARD FINISH - EG ALSO AVAILABLE: STAINLESS STEEL & ALUMINUM

EUGENE FASTENER & SUPPLY CO.  
595 WILSON STREET  
EUGENE, OR 97402

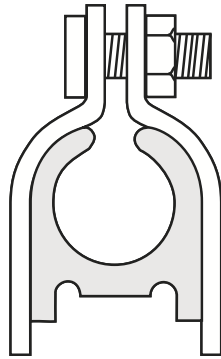


PHONE: 541-342-5978  
TOLL FREE: 800-929-5978  
FAX: 541-342-1385

10.11

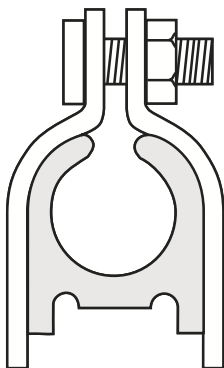
# PIPE CLAMPS

## CUSHION CLAMPS FOR PIPE



PIPE SIZE	PART #	QTY./CTN.	WGT. /100
1/4	4411	25	12
3/8	4412	25	13
1/2	4413	25	20
3/4	4414	25	29
1	4415	25	40
1-1/4	4416	10	45
1-1/2	4417	10	49
2	4418	10	56
2-1/2	4419	10	73
3	4420	5	77
3-1/2	4421	5	97
4	4422	5	110
5	4423	5	130
6	4424	5	140

## CUSHION CLAMPS FOR O.D.



O.D. SIZE	PART #	QTY. CTN.	WGT. /100
1/4	4430	25	13
5/16	4431	25	13
3/8	4432	25	14
1/2	4434	25	15
5/8	4435	25	16
3/4	4436	25	19
7/8	4437	25	20
1	4438	25	27
1-1/8	4439	25	31
1-1/4	4441	10	34
1-3/8	4442	10	38
1-1/2	4443	10	39
1-5/8	4444	10	43

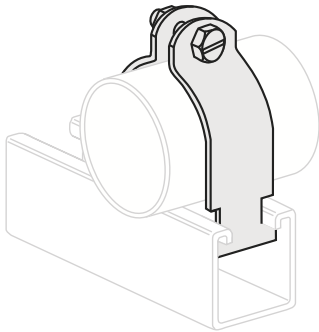
O.D. SIZE	PART #	QTY. CTN.	WGT. /100
1-3/4	4445	10	43
1-7/8	4446	10	41
2	4447	10	48
2-1/8	4448	10	57
2-1/4	4449	10	60
2-3/8	4450	10	56
2-1/2	4451	10	53
2-5/8	4452	10	53
3	4453	5	65
3-1/8	4454	5	63
3-5/8	4455	5	78
4-1/8	4456	5	90
6-1/8	4458	5	170

STANDARD FINISH - YELLOW ZINC

# PIPE CLAMPS

## COPPER TUBE CLAMPS

COPPER PLATED

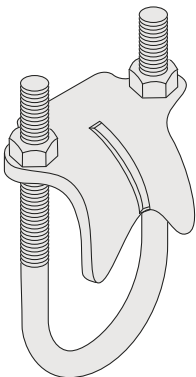


COPPER TUBE SIZE	O.D. SIZE	PART #	QTY./ CTN.	WGT./ 100
1/4"	3/8"	4481	100	8
3/8"	1/2"	4482	100	8
1/2"	5/8"	4483	100	10
3/4"	7/8"	4484	100	11
1"	1-1/8"	4485	100	15
1-1/4"	1-3/8"	4486	100	17
1-1/2"	1-5/8"	4487	50	18
2"	2-1/8"	4488	50	32
2-1/2"	2-5/8"	4489	50	35
3"	3-1/8"	4490	50	39
3-1/2"	3-5/8"	4491	25	54
4"	4-1/8"	4492	25	61
5"	5-1/8"	4493	25	69
6"	6-1/8"	4494	25	91
8"	8-1/8"	4495	25	114

## RIGHT ANGLE CLAMPS

AVAILABLE IN:

- HDG
- 316 STAINLESS STEEL

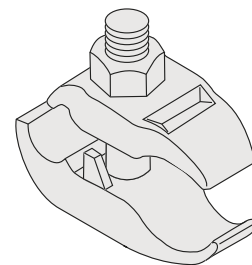


PIPE SIZE	HDG PART #	QTY./ CTN.	WGT./ 100
1/2"	5780-904	25	41.00
3/4"	5780-906	25	42.00
1"	5780-910	25	47.00
1-1/4"	5780-912	25	54.00
1-1/2"	5780-914	25	57.00
2"	5780-920	10	85.00
2-1/2"	5780-924	10	106.00
3"	5780-930	5	110.00
3-1/2"	5780-934	5	128.00
4"	5780-940	5	140.00

## PARALLEL CLAMPS

AVAILABLE IN:

- HDG
- 316 STAINLESS STEEL



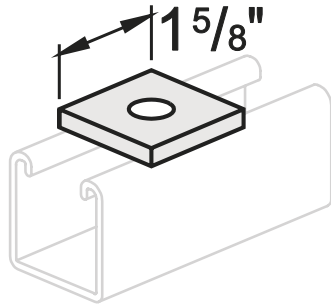
PIPE SIZE	HDG PART #	QTY. CTN.	WGT./ 100
3/4"	5781-906	10	64
1"	5781-910	10	70

# FLAT

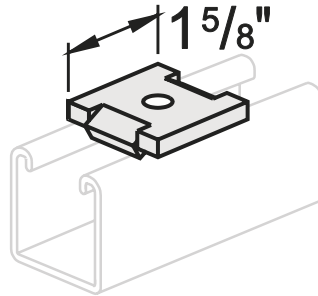
## CHANNEL FITTINGS

### SQUARE WASHERS

FLAT



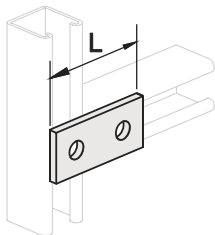
W/ GUIDES



100/CTN  
16 LBS/100

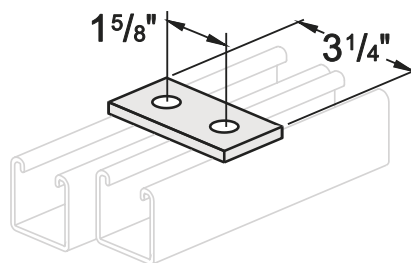
SIZE	FLAT P/N	W/ GUIDES P/N
1/4	4600	4606
3/8	4601	4607
1/2	4602	4608
5/8	4603	4609
3/4	4604	4610
7/8	4605	-

### 2 HOLE SPLICE



P/N	L	CTN. QTY.	LBS/100
4612	3-1/2"	50	33
4615	4-5/8"	50	50

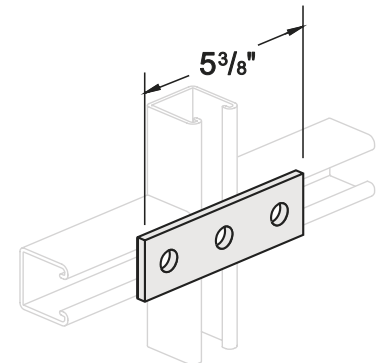
### 2 HOLE SPLICE



**4614**

50/CTN  
31 LBS/100

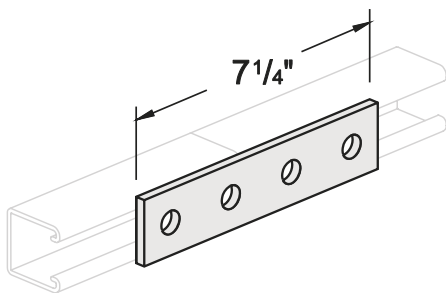
### 3 HOLE SPLICE



**4616**

50/CTN  
58 LBS/100

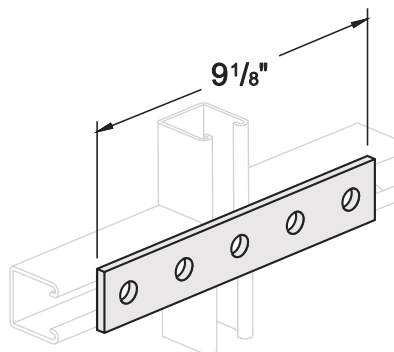
### 4 HOLE SPLICE



**4617**

25/CTN  
69 LBS/100

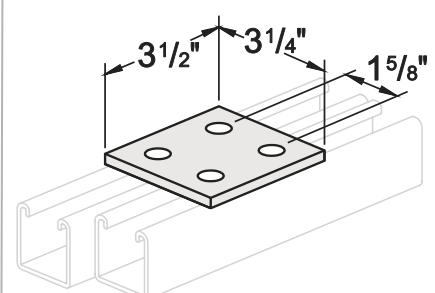
### 5 HOLE SPLICE



**4618**

25/CTN  
95 LBS/100

### 4 HOLE SQUARE SPLICE



**4624**

25/CTN  
74 LBS/100

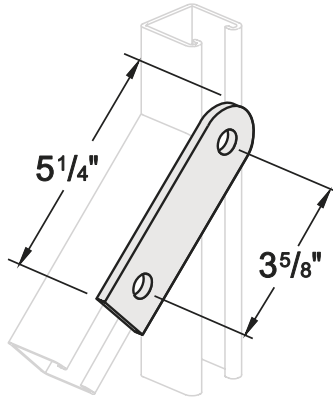
UNLESS SPECIFIED, MATERIAL IS 1-5/8" WIDE. HOLES ARE 9/16" DIAMETER, 13/16" CENTER TO EDGE, & SPACED 1-7/8" ON CENTER. STANDARD FINISH - EG ALSO AVAILABLE: STAINLESS STEEL & HOT DIPPED GALVANIZED

10.11

# FLAT

## CHANNEL FITTINGS

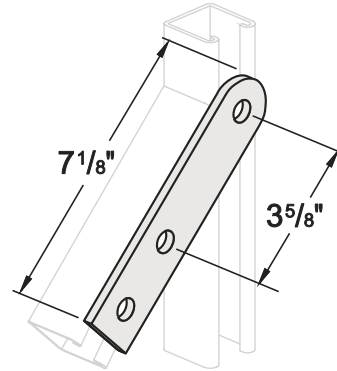
### 2 HOLE FLAT SWIVEL



**4619**

25/CTN  
49 LBS/100

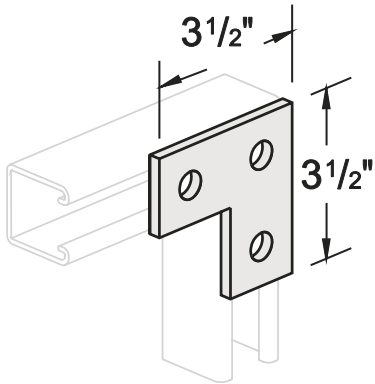
### 3 HOLE FLAT SWIVEL



**4620**

25/CTN  
76 LBS/100

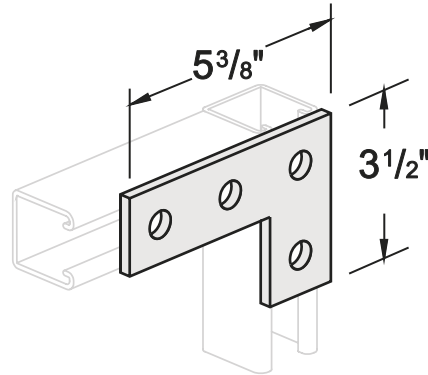
### 3 HOLE FLAT CORNER



**4621**

50/CTN  
50 LBS/100

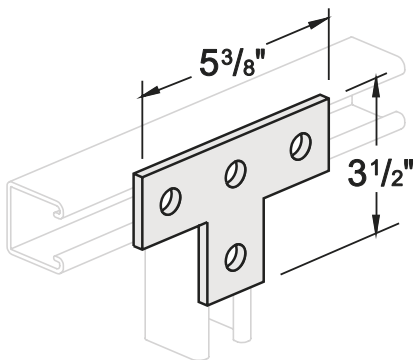
### 4 HOLE FLAT CORNER



**4625**

20/CTN  
69 LBS/100

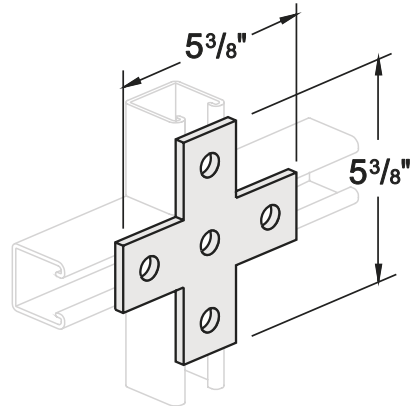
### 4 HOLE FLAT TEE



**4627**

25/CTN  
66 LBS/100

### 5 HOLE FLAT CROSS



**4628**

25/CTN  
90 LBS/100

UNLESS SPECIFIED, MATERIAL IS 1-5/8" WIDE. HOLES ARE 9/16" DIAMETER, 13/16" CENTER TO EDGE, & SPACED 1-7/8" ON CENTER.  
STANDARD FINISH - EG ALSO AVAILABLE: STAINLESS STEEL & HOT DIPPED GALVANIZED

10.11

EUGENE FASTENER & SUPPLY CO.  
595 WILSON STREET  
EUGENE, OR 97402



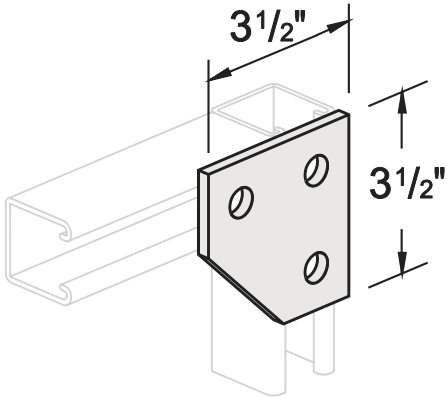
PHONE: 541-342-5978  
TOLL FREE: 800-929-5978  
FAX: 541-342-1385

**13**

# FLAT

## CHANNEL FITTINGS

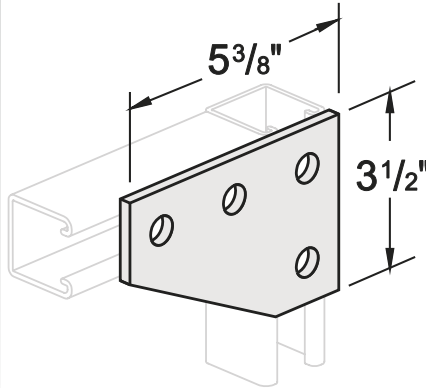
### 3 HOLE FLAT CORNER



**4622**

25/CTN  
70 LBS/100

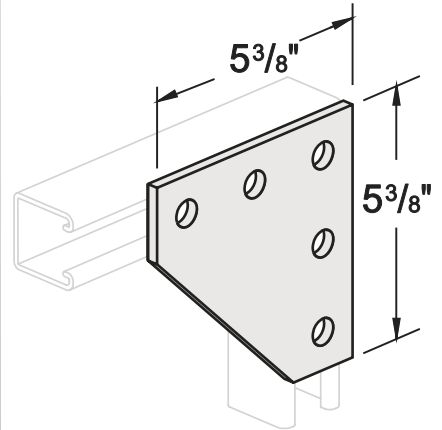
### 4 HOLE FLAT CORNER



**4626**

25/CTN  
92 LBS/100

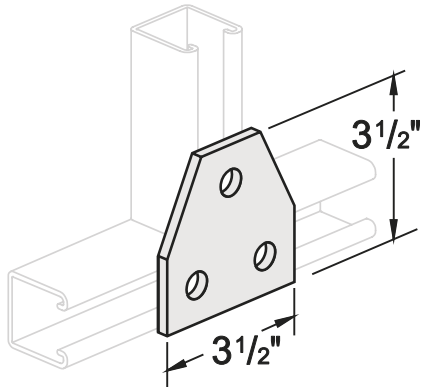
### 5 HOLE FLAT CORNER



**4631**

10/CTN  
135 LBS/100

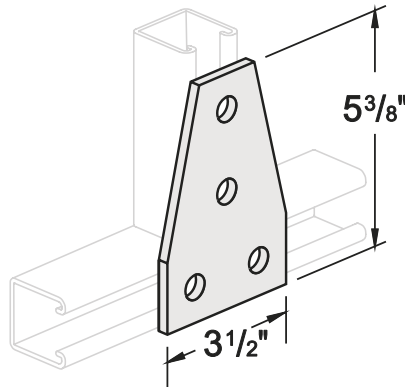
### 3 HOLE FLAT TEE



**4623**

50/CTN  
70 LBS/100

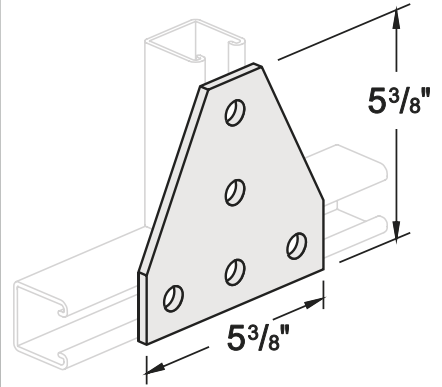
### 4 HOLE FLAT TEE



**4629**

25/CTN  
93 LBS/100

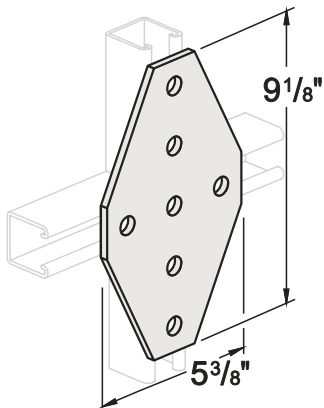
### 5 HOLE FLAT TEE



**4630**

25/CTN  
143 LBS/100

### 7 HOLE FLAT CROSS



**4633**

10/CTN  
240 LBS/100



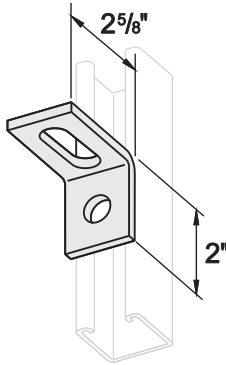
UNLESS SPECIFIED, MATERIAL IS 1-5/8" WIDE. HOLES ARE 9/16" DIAMETER, 13/16" CENTER TO EDGE, & SPACED 1-7/8" ON CENTER. STANDARD FINISH - EG ALSO AVAILABLE: STAINLESS STEEL & HOT DIPPED GALVANIZED

10.11

# 90 DEGREE

## CHANNEL FITTINGS

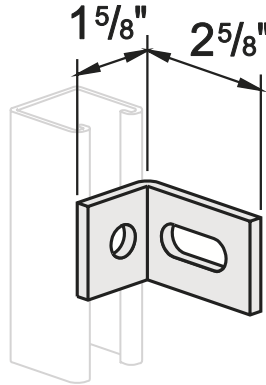
### 1 HOLE ADJUSTABLE CORNER ANGLE



**4645**

25/CTN  
42 LBS/100

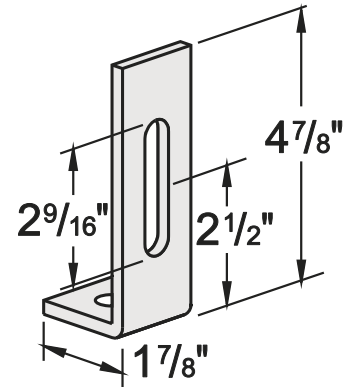
### 1 HOLE ADJUSTABLE CORNER ANGLE



**4646**

50/CTN  
38 LBS/100

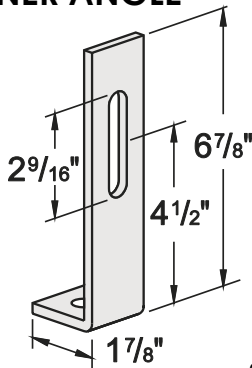
### 1 HOLE ADJUSTABLE CORNER ANGLE



**4647**

25/CTN  
59 LBS/100

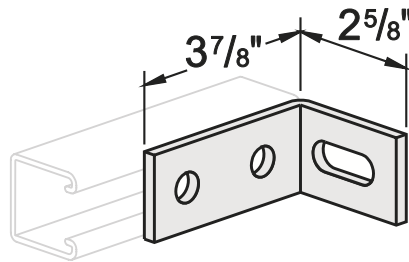
### 1 HOLE ADJUSTABLE CORNER ANGLE



**4648**

25/CTN  
81 LBS/100

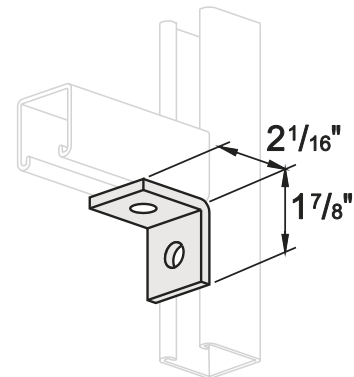
### 2 HOLE ADJUSTABLE CORNER ANGLE



**4652**

25/CTN  
63 LBS/100

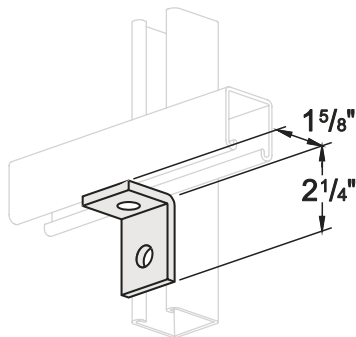
### 2 HOLE END ANGLE



**4641**

50/CTN  
35 LBS/100

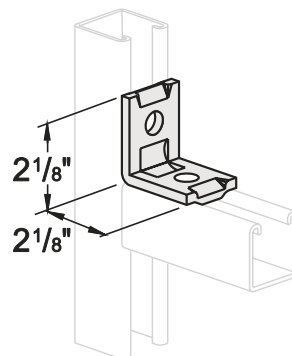
### 2 HOLE CORNER ANGLE



**4642**

25/CTN  
33 LBS/100

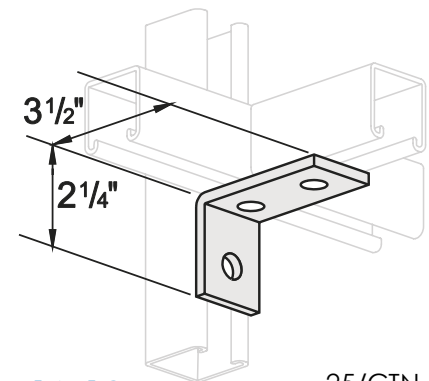
### 2 HOLE END ANGLE W/GUIDES



**4643**

50/CTN  
37 LBS/100

### 3 HOLE CORNER ANGLE



**4649**

25/CTN  
50 LBS/100

UNLESS SPECIFIED, MATERIAL IS 1-5/8" WIDE. HOLES ARE 9/16" DIAMETER, 13/16" CENTER TO EDGE, & SPACED 1-7/8" ON CENTER. STANDARD FINISH - EG ALSO AVAILABLE: STAINLESS STEEL & HOT DIPPED GALVANIZED

10.11

EUGENE FASTENER & SUPPLY CO.  
595 WILSON STREET  
EUGENE, OR 97402



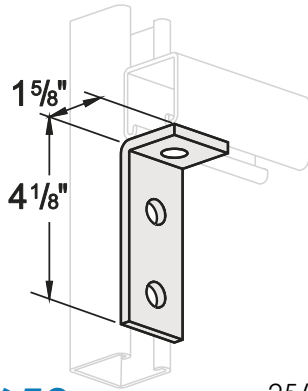
PHONE: 541-342-5978  
TOLL FREE: 800-929-5978  
FAX: 541-342-1385

**15**

# 90 DEGREE

## CHANNEL FITTINGS

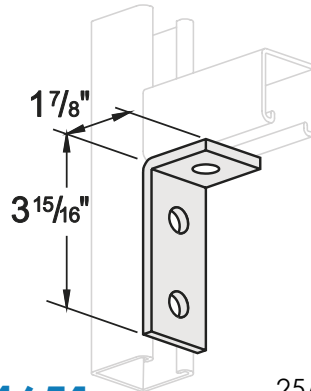
**3 HOLE CORNER ANGLE**



**4650**

25/CTN  
50 LBS/100

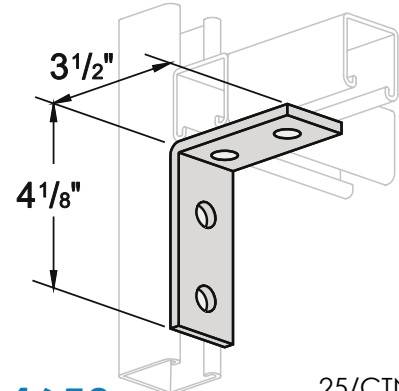
**3 HOLE CORNER ANGLE**



**4651**

25/CTN  
51 LBS/100

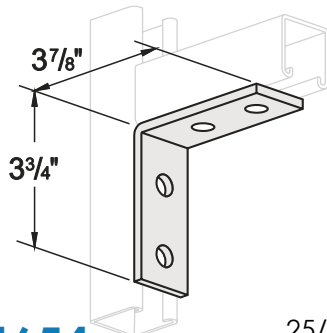
**4 HOLE CORNER ANGLE**



**4653**

25/CTN  
69 LBS/100

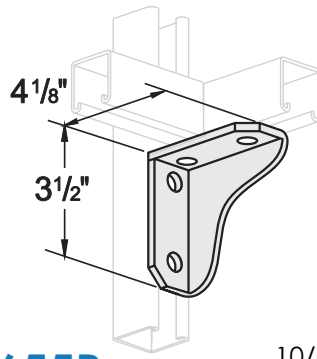
**4 HOLE CORNER ANGLE**



**4654**

25/CTN  
68 LBS/100

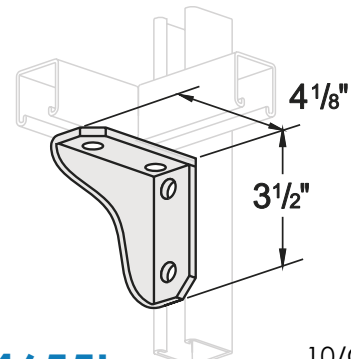
**4 HOLE R. H. GUSSET**



**4655R**

10/CTN  
114 LBS/100

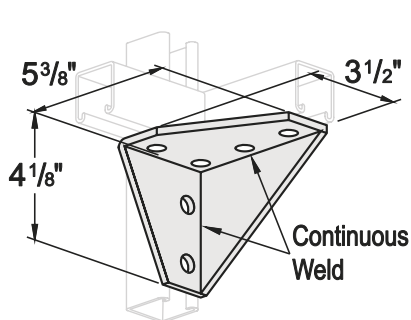
**4 HOLE L. H. GUSSET**



**4655L**

10/CTN  
114 LBS/100

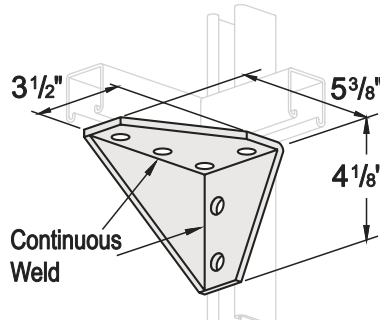
**6 HOLE R. H. GUSSETED ANGLE CONNECTOR**



**4665R**

10/CTN  
236 LBS/100

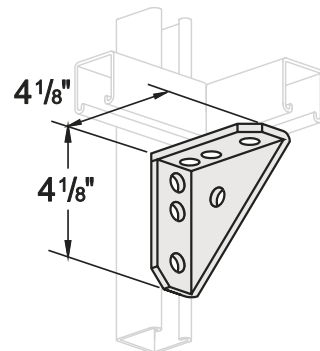
**6 HOLE L. H. GUSSETED ANGLE CONNECTOR**



**4665L**

10/CTN  
236 LBS/100

**7 HOLE UNIVERSAL CORNER ANGLE**



**4657**

10/CTN  
127 LBS/100

UNLESS SPECIFIED, MATERIAL IS 1-5/8" WIDE. HOLES ARE 9/16" DIAMETER, 13/16" CENTER TO EDGE, & SPACED 1-7/8" ON CENTER. STANDARD FINISH - EG ALSO AVAILABLE: STAINLESS STEEL & HOT DIPPED GALVANIZED

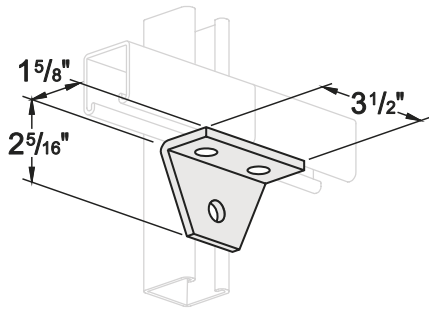
10.11



# 90 DEGREE

## CHANNEL FITTINGS

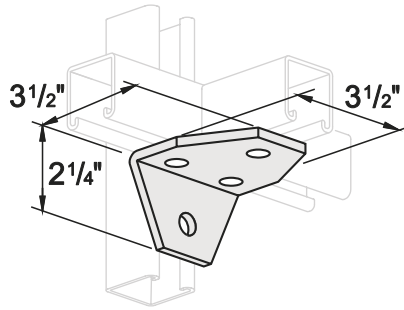
### 3 HOLE SHELF ANGLE



**4658**

25/CTN  
70 LBS/100

### 4 HOLE SHELF ANGLE



**4659**

25/CTN  
100 LBS/100

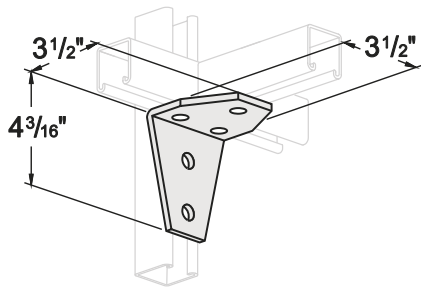
### 4 HOLE SHELF ANGLE



**4660**

25/CTN  
105 LBS/100

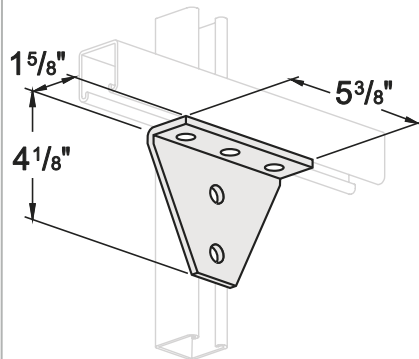
### 5 HOLE SHELF ANGLE



**4661**

10/CTN  
135 LBS/100

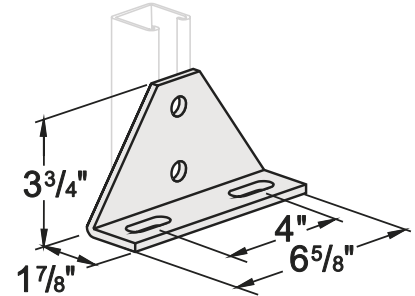
### 5 HOLE SHELF ANGLE



**4662**

10/CTN  
155 LBS/100

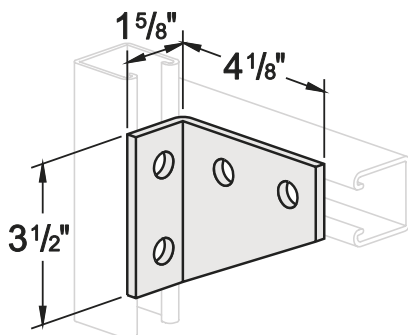
### 2 HOLE 2 SLOT ADJ. SUPPORT ANGLE



**4663**

10/CTN  
171 LBS/100

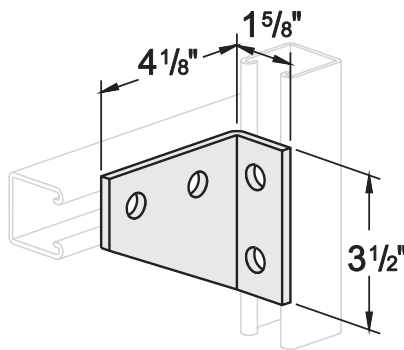
### 4 HOLE L. H. ANGLE



**4666L**

10/CTN  
105 LBS/100

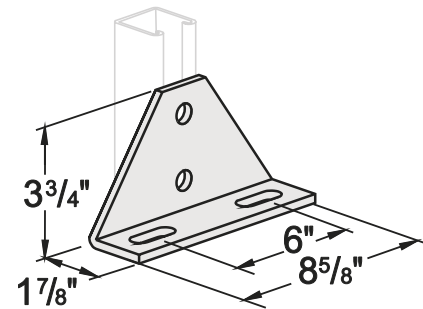
### 4 HOLE R. H. ANGLE



**4666R**

10/CTN  
105 LBS/100

### 2 HOLE 2 SLOT ADJ. SUPPORT ANGLE



**4664**

10/CTN  
200 LBS/100

UNLESS SPECIFIED, MATERIAL IS 1-5/8" WIDE. HOLES ARE 9/16" DIAMETER, 13/16" CENTER TO EDGE, & SPACED 1-7/8" ON CENTER. STANDARD FINISH - EG ALSO AVAILABLE: STAINLESS STEEL & HOT DIPPED GALVANIZED

10.11

EUGENE FASTENER & SUPPLY CO.  
595 WILSON STREET  
EUGENE, OR 97402

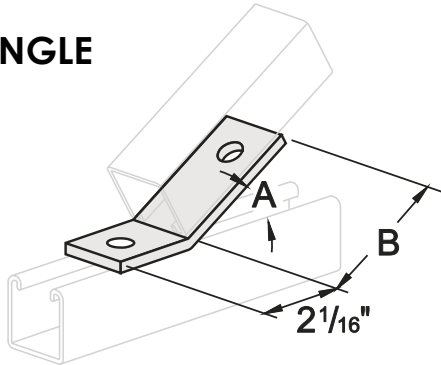


PHONE: 541-342-5978  
TOLL FREE: 800-929-5978  
FAX: 541-342-1385

# ANGLE

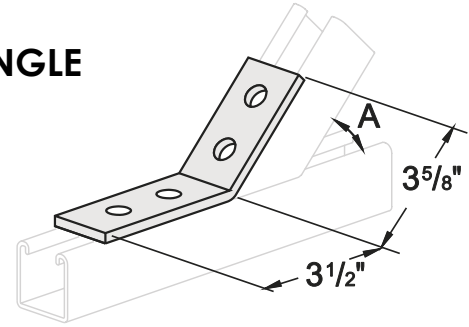
## CHANNEL FITTINGS

### 2 HOLE OPEN ANGLE



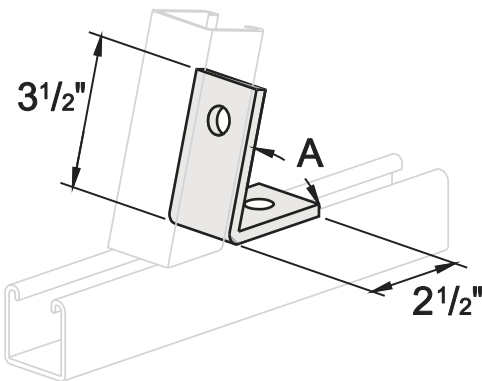
P/N	A	B	CTN. QTY.	LBS/100
467615	15°	3-5/16"	25	54
467630	30°	3-5/16"		
467645	45°	3-1/4"		
467660	60°	3-1/4"		

### 4 HOLE OPEN ANGLE



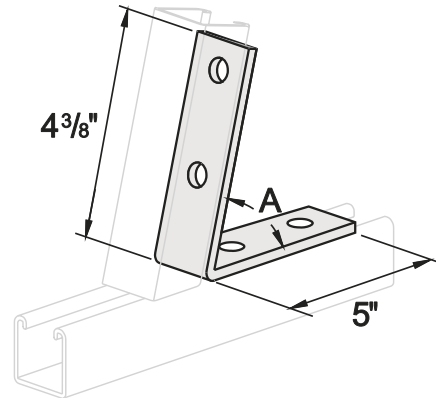
P/N	A	CTN. QTY.	LBS/100
467915	15°	25	70
467930	30°		
467945	45°		
467960	60°		
467967	67°		
467975	75°		

### 2 HOLE CLOSED ANGLE



P/N	A	CTN. QTY.	LBS/100
467745	45°	25	53
467760	60°		

### 4 HOLE CLOSED ANGLE



P/N	A	CTN. QTY.	LBS/100
467845	45°	20	88
467860	60°		

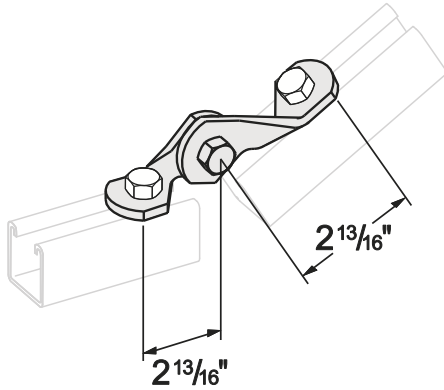
UNLESS SPECIFIED, MATERIAL IS 1-5/8" WIDE. HOLES ARE 9/16" DIAMETER, 13/16" CENTER TO EDGE, & SPACED 1-7/8" ON CENTER. STANDARD FINISH - EG ALSO AVAILABLE: STAINLESS STEEL & HOT DIPPED GALVANIZED

10.11

# ANGLE

## CHANNEL FITTINGS

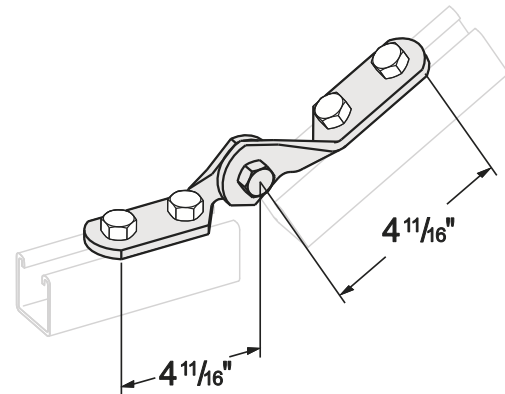
### 2 HOLE ADJUSTABLE HINGE



**4681**

10/CTN  
89 LBS/100

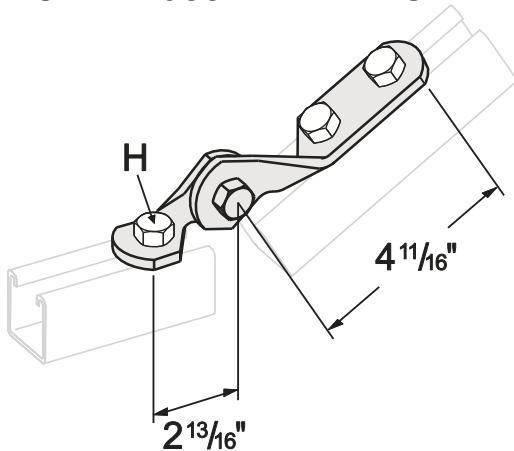
### 4 HOLE ADJUSTABLE HINGE



**4683**

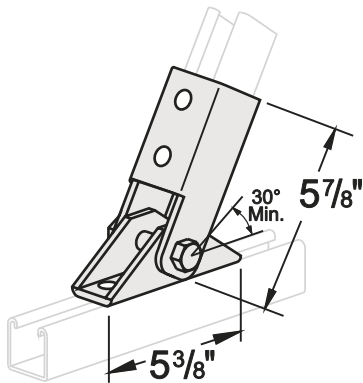
10/CTN  
120 LBS/100

### 3 HOLE ADJUSTABLE HINGE



P/N	H	CTN. QTY.	LBS/100
<b>46823</b>	3/8"	10	106
<b>46824</b>	1/2"		104
<b>46825</b>	5/8"		102
<b>46826</b>	3/4"		100

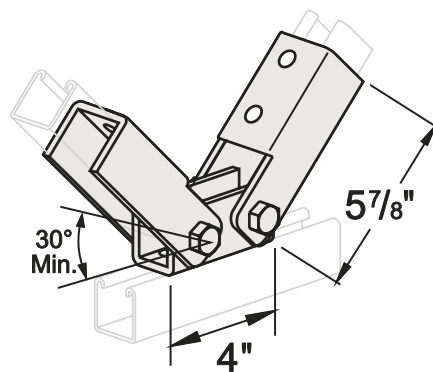
### ADJ. SINGLE CHANNEL BRACE



**4684**

5/CTN  
250 LBS/100

### ADJ. DOUBLE CHANNEL BRACE



**4685**

5/CTN  
500 LBS/100

UNLESS SPECIFIED, MATERIAL IS 1-5/8" WIDE. HOLES ARE 9/16" DIAMETER, 13/16" CENTER TO EDGE, & SPACED 1-7/8" ON CENTER. STANDARD FINISH - EG ALSO AVAILABLE: STAINLESS STEEL & HOT DIPPED GALVANIZED

10.11

EUGENE FASTENER & SUPPLY CO.  
595 WILSON STREET  
EUGENE, OR 97402



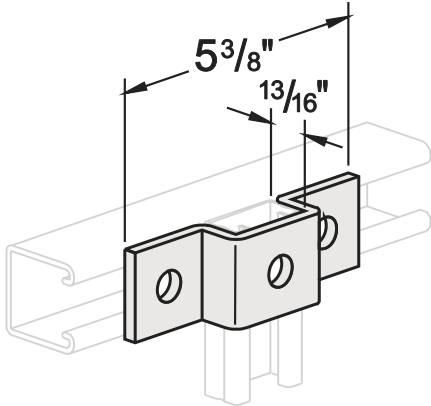
PHONE: 541-342-5978  
TOLL FREE: 800-929-5978  
FAX: 541-342-1385

**19**

# U S H A P E

## CHANNEL FITTINGS

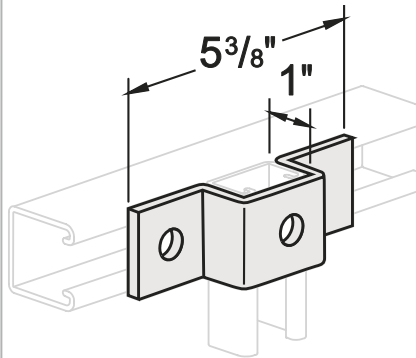
**3 HOLE U SUPPORT**



**4696**

25/CTN  
62.0 LBS/100

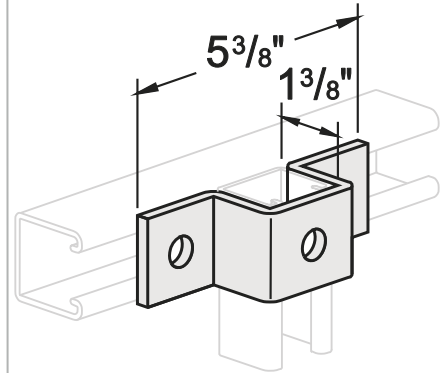
**3 HOLE U SUPPORT**



**4697**

25/CTN  
66.0 LBS/100

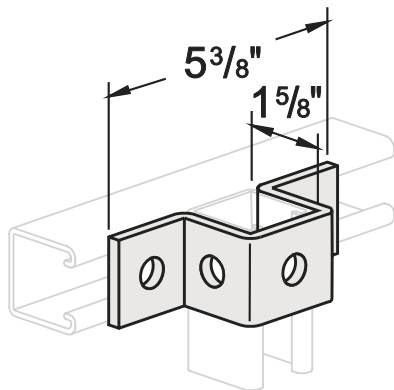
**3 HOLE U SUPPORT**



**4698**

25/CTN  
70.0 LBS/100

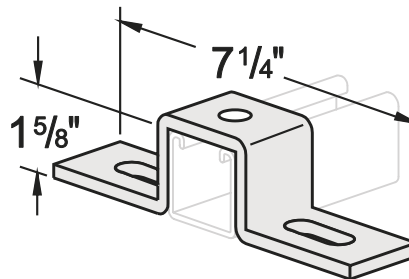
**5 HOLE U SUPPORT**



**4699**

15/CTN  
72.0 LBS/100

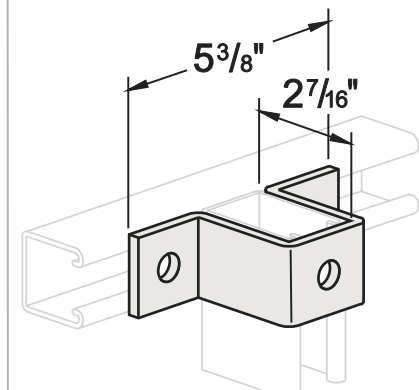
**1 HOLE ADJ. U SUPPORT  
W/ SLOTS**



**4700**

10/CTN  
96.0 LBS/100

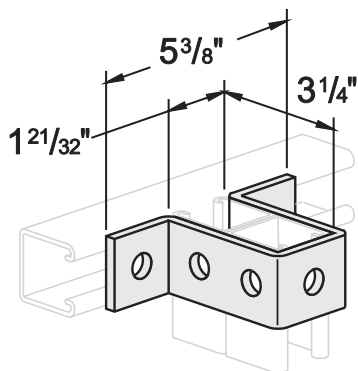
**3 HOLE U SUPPORT**



**4702**

15/CTN  
108.0 LBS/100

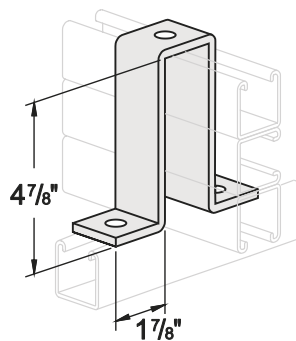
**7 HOLE U SUPPORT**



**4703**

25/CTN  
121.0 LBS/100

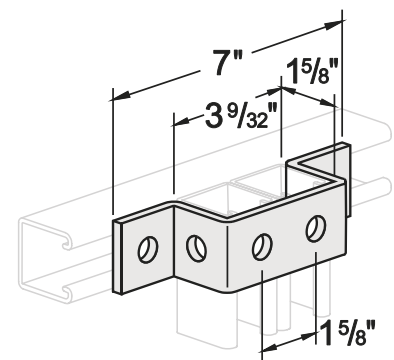
**3 HOLE U SUPPORT**



**4704**

10/CTN  
197.0 LBS/100

**6 HOLE U SUPPORT**



**4701**

10/CTN  
103.0 LBS/100

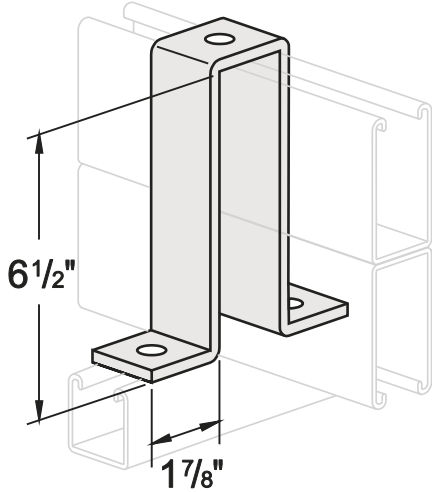
UNLESS SPECIFIED, MATERIAL IS 1-5/8" WIDE. HOLES ARE 9/16" DIAMETER, 13/16" CENTER TO EDGE, & SPACED 1-7/8" ON CENTER. STANDARD FINISH - EG ALSO AVAILABLE: STAINLESS STEEL & HOT DIPPED GALVANIZED

10.11

# U SH A P E

## CHANNEL FITTINGS

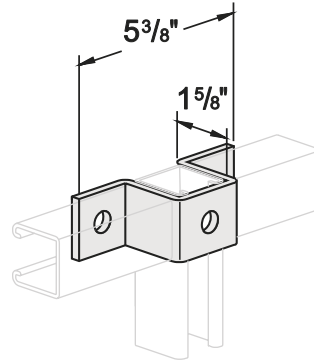
### 3 HOLE U SUPPORT



**47046**

10/CTN  
200 LBS/100

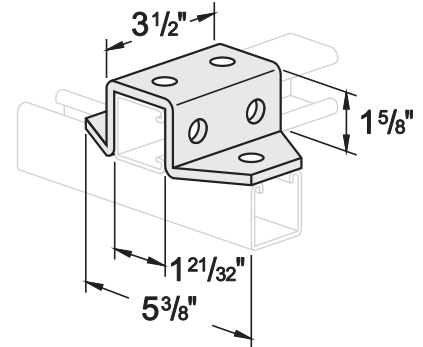
### 3 HOLE OFFSET U SUPPORT



**4705**

25/CTN  
95 LBS/100

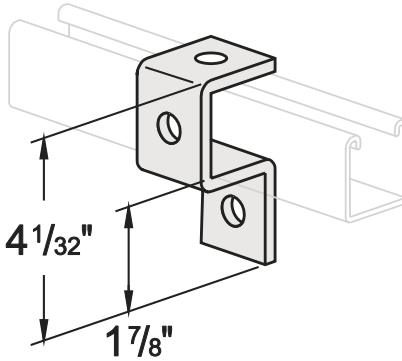
### 8 HOLE U SUPPORT



**4706**

10/CTN  
171 LBS/100

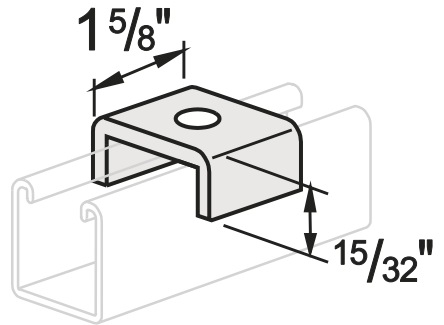
### 4 HOLE U CUP SUPPORT



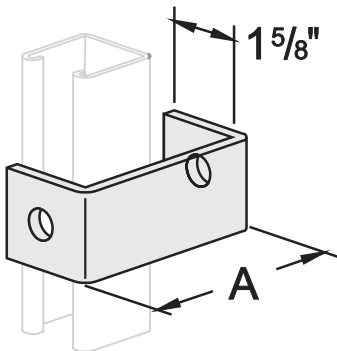
**4707**

25/CTN  
76 LBS/100

### U SADDLE WASHER



### 2 HOLE COLUMN OR STRINGER INSIDE CLEVIS HANGER



P/N	A	CTN. QTY.	LBS/100
<b>47084</b>	4"	25	78
<b>47085</b>	5"	25	89

P/N	SIZE	CTN. QTY.	LBS/100
<b>47092</b>	1/4"	50	18
<b>47093</b>	3/8"		
<b>47095</b>	1/2"		
<b>47096</b>	5/8"	17	
<b>47097</b>	3/4"		

UNLESS SPECIFIED, MATERIAL IS 1-5/8" WIDE. HOLES ARE 9/16" DIAMETER, 13/16" CENTER TO EDGE, & SPACED 1-7/8" ON CENTER. STANDARD FINISH - EG ALSO AVAILABLE: STAINLESS STEEL & HOT DIPPED GALVANIZED

10.11

EUGENE FASTENER & SUPPLY CO.  
595 WILSON STREET  
EUGENE, OR 97402



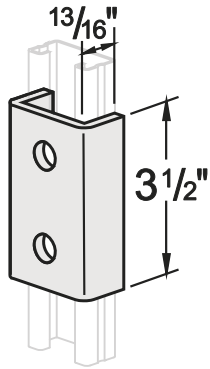
PHONE: 541-342-5978  
TOLL FREE: 800-929-5978  
FAX: 541-342-1385

**21**

# U S H A P E

## CHANNEL FITTINGS

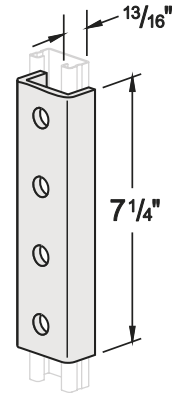
### 2 HOLE SPlice CLEVIS



**4713**

20/CTN  
85 LBS/100

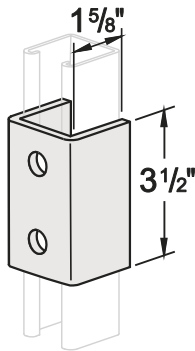
### 4 HOLE SPlice CLEVIS



**4716**

10/CTN  
158 LBS/100

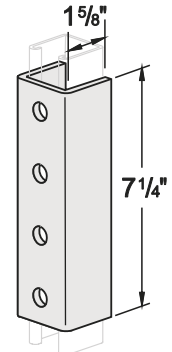
### 2 HOLE SPlice CLEVIS



**4714**

25/CTN  
128 LBS/100

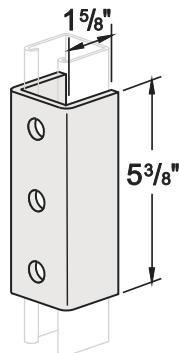
### 4 HOLE SPlice CLEVIS



**4717**

10/CTN  
230 LBS/100

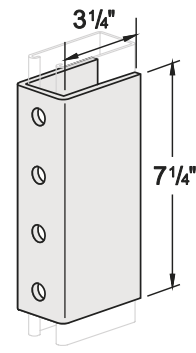
### 3 HOLE SPlice CLEVIS



**4715**

20/CTN  
197 LBS/100

### 4 HOLE SPlice CLEVIS



**4718**

5/CTN  
410 LBS/100

UNLESS SPECIFIED, MATERIAL IS 1-5/8" WIDE. HOLES ARE 9/16" DIAMETER, 13/16" CENTER TO EDGE, & SPACED 1-7/8" ON CENTER. STANDARD FINISH - EG ALSO AVAILABLE: STAINLESS STEEL & HOT DIPPED GALVANIZED

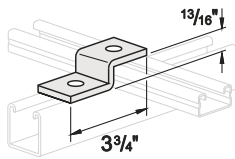
10.11

# Z SHAPE

## CHANNEL FITTINGS

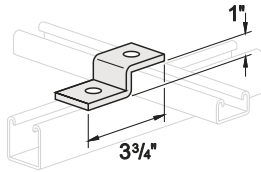
### 2 HOLE Z SUPPORTS

**4722**



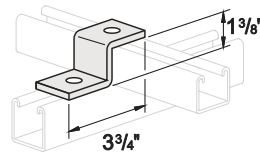
50/CTN  
47 LBS/100

**4723**



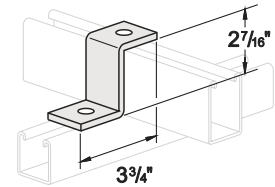
25/CTN  
47 LBS/100

**4724**



25/CTN  
53 LBS/100

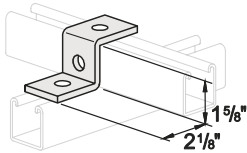
**4726**



25/CTN  
67 LBS/100

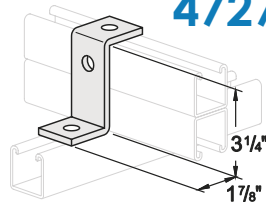
### 3 HOLE Z SUPPORTS

**4725**



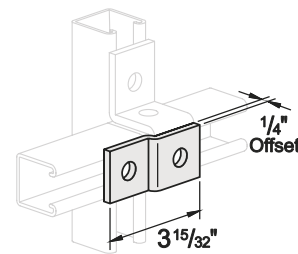
25/CTN  
53 LBS/100

**4727**



25/CTN  
70 LBS/100

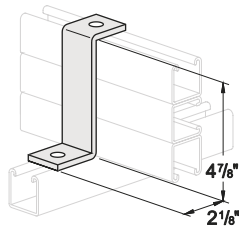
### 2 HOLE 1/4" OFFSET SUPPORT



**4721**

25/CTN  
38 LBS/100

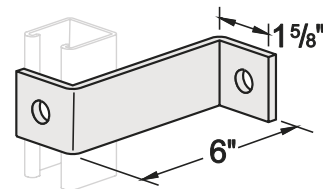
### 2 HOLE SUPPORT FOR 4-7/8" CHANNEL COMBINATION



**4728**

25/CTN  
90 LBS/100

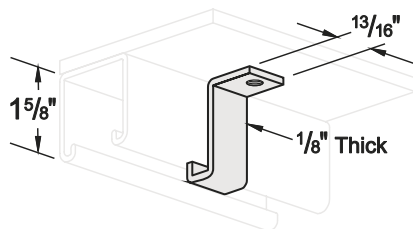
### 2 HOLE 6" OFFSET SUPPORT



**47296**

25/CTN  
95 LBS/100

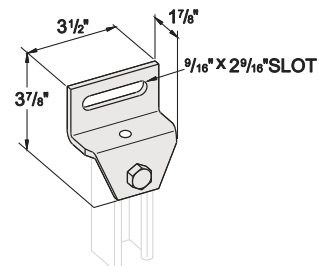
### SHELF ATTACHMENT Z



**47102**

100/CTN  
9 LBS/100

### 2 HOLE 1-5/8" SLOTTED OFFSET SUPPORT



**4730**

20/CTN  
93 LBS/100

UNLESS SPECIFIED, MATERIAL IS 1-5/8" WIDE. HOLES ARE 9/16" DIAMETER, 13/16" CENTER TO EDGE, & SPACED 1-7/8" ON CENTER. STANDARD FINISH - EG ALSO AVAILABLE: STAINLESS STEEL & HOT DIPPED GALVANIZED

10.11

EUGENE FASTENER & SUPPLY CO.  
595 WILSON STREET  
EUGENE, OR 97402



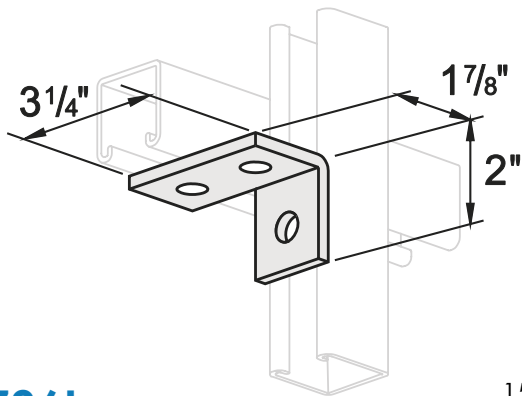
PHONE: 541-342-5978  
TOLL FREE: 800-929-5978  
FAX: 541-342-1385

**23**

# W I N G

## CHANNEL FITTINGS

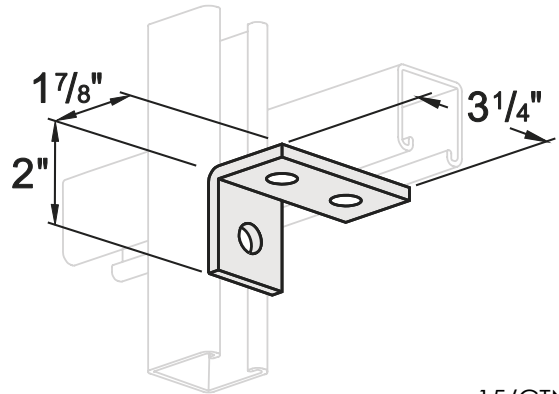
### 3 HOLE L. H. OFFSET ANGLE



**4736L**

15/CTN  
93 LBS/100

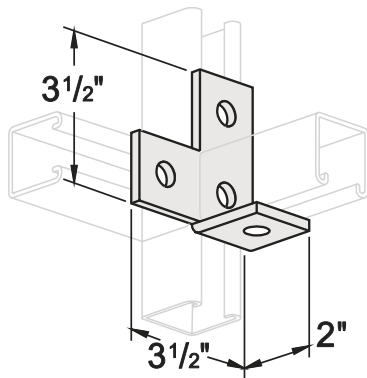
### 3 HOLE R. H. OFFSET ANGLE



**4736R**

15/CTN  
93 LBS/100

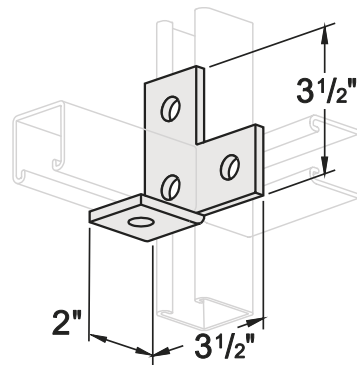
### 4 HOLE L. H. OFFSET BENT TEE



**4755L**

10/CTN  
72 LBS/100

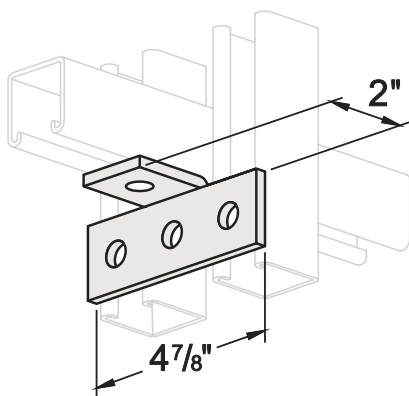
### 4 HOLE R. H. OFFSET BENT TEE



**4755R**

10/CTN  
72 LBS/100

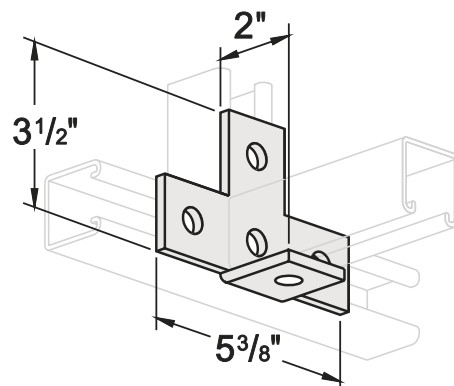
### 4 HOLE BENT TEE ANGLE



**4740**

10/CTN  
72 LBS/100

### 5 HOLE BENT CROSS



**4757**

10/CTN  
90 LBS/100

UNLESS SPECIFIED, MATERIAL IS 1-5/8" WIDE. HOLES ARE 9/16" DIAMETER, 13/16" CENTER TO EDGE, & SPACED 1-7/8" ON CENTER. STANDARD FINISH - EG ALSO AVAILABLE: STAINLESS STEEL & HOT DIPPED GALVANIZED

10.11



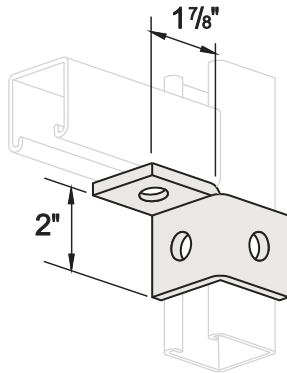
# W I N G

## CHANNEL FITTINGS

### 3 HOLE L. H. SINGLE CORNER

15/CTN  
60 LBS/100

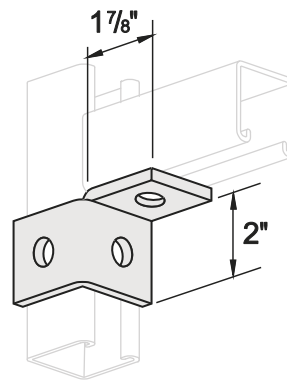
**4737L**



### 3 HOLE R. H. SINGLE CORNER

15/CTN  
60 LBS/100

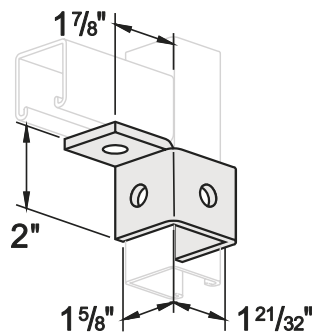
**4737R**



### 4 HOLE L. H. WRAP AROUND SINGLE CONNECTOR

15/CTN  
70 LBS/100

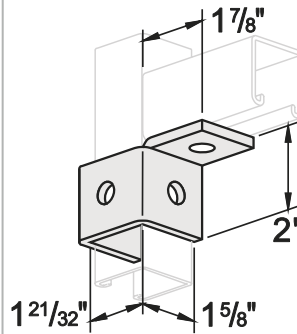
**4756L**



### 4 HOLE R. H. WRAP AROUND SINGLE CONNECTOR

15/CTN  
70 LBS/100

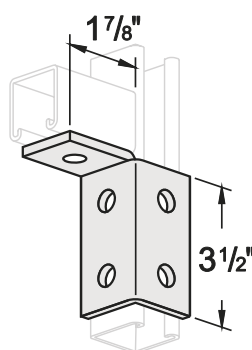
**4756R**



### 5 HOLE L. H. SINGLE CORNER

15/CTN  
100 LBS/100

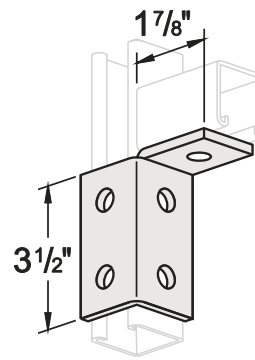
**4741L**



### 5 HOLE R. H. SINGLE CORNER

15/CTN  
100 LBS/100

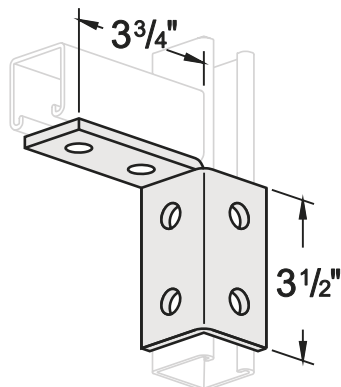
**4741R**



### 6 HOLE L. H. SINGLE CORNER

15/CTN  
119 LBS/100

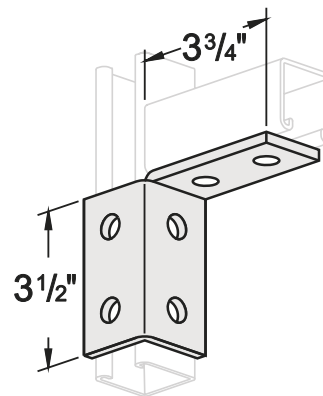
**4742L**



### 6 HOLE R. H. SINGLE CORNER

15/CTN  
119 LBS/100

**4742R**



UNLESS SPECIFIED, MATERIAL IS 1-5/8" WIDE. HOLES ARE 9/16" DIAMETER, 13/16" CENTER TO EDGE, & SPACED 1-7/8" ON CENTER. STANDARD FINISH - EG ALSO AVAILABLE: STAINLESS STEEL & HOT DIPPED GALVANIZED

10.11

EUGENE FASTENER & SUPPLY CO.  
595 WILSON STREET  
EUGENE, OR 97402



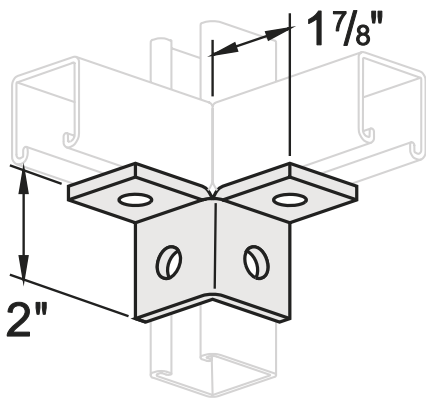
PHONE: 541-342-5978  
TOLL FREE: 800-929-5978  
FAX: 541-342-1385

**25**

# W I N G

## CHANNEL FITTINGS

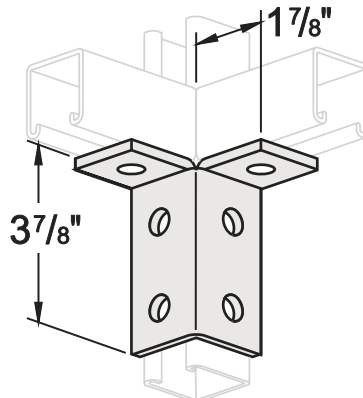
### 4 HOLE 2 CORNER



**4738**

25/CTN  
76 LBS/100

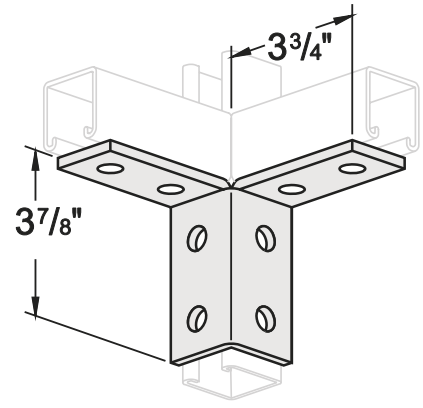
### 6 HOLE 2 CORNER



**4739**

25/CTN  
115 LBS/100

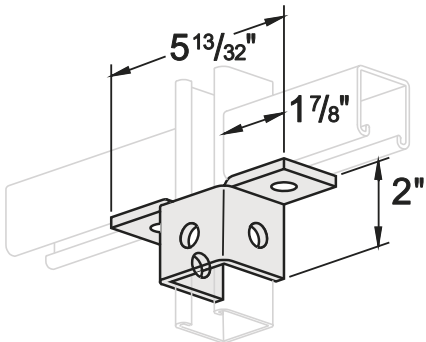
### 8 HOLE 2 CORNER



**4743**

10/CTN  
156 LBS/100

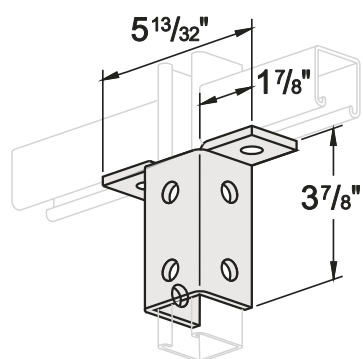
### 5 HOLE 2 CORNER



**4744**

15/CTN  
93 LBS/100

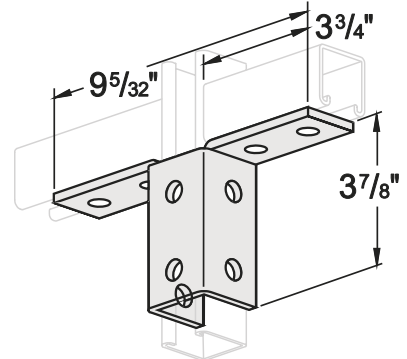
### 8 HOLE 2 CORNER



**4749**

10/CTN  
177 LBS/100

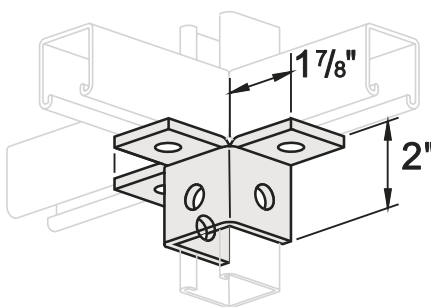
### 10 HOLE 2 CORNER



**4745**

10/CTN  
202 LBS/100

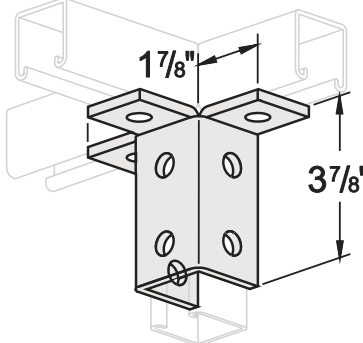
### 6 HOLE 3 CORNER



**4746**

10/CTN  
105 LBS/100

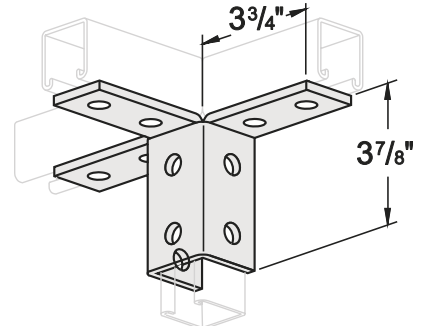
### 9 HOLE 3 CORNER



**4748**

10/CTN  
193 LBS/100

### 12 HOLE 3 CORNER



**4747**

10/CTN  
239 LBS/100

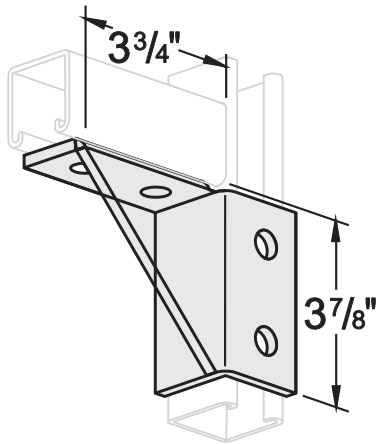
UNLESS SPECIFIED, MATERIAL IS 1-5/8" WIDE. HOLES ARE 9/16" DIAMETER, 13/16" CENTER TO EDGE, & SPACED 1-7/8" ON CENTER.  
STANDARD FINISH - EG ALSO AVAILABLE: STAINLESS STEEL & HOT DIPPED GALVANIZED

10.11

# W I N G

## CHANNEL FITTINGS

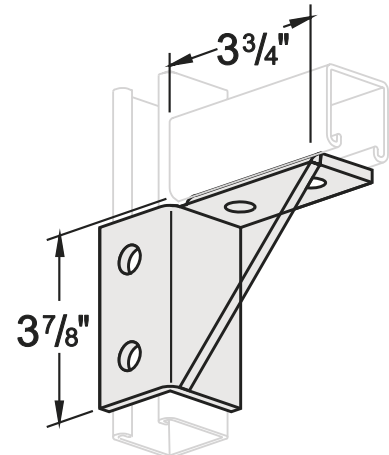
**4 HOLE  
L. H.  
GUSSETED  
SINGLE  
CORNER**



**4750L**

10/CTN  
176 LBS/100

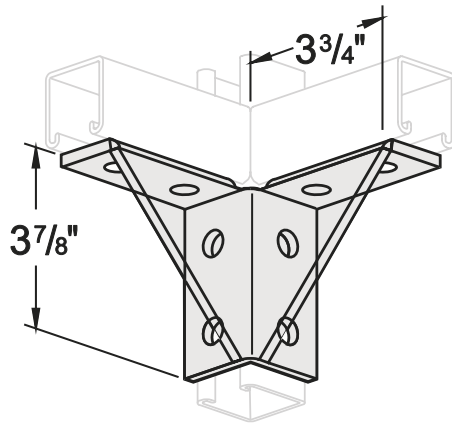
**4 HOLE  
R. H.  
GUSSETED  
SINGLE  
CORNER**



**4750R**

10/CTN  
176 LBS/100

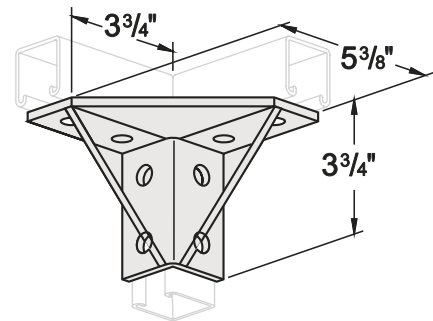
**8 HOLE  
GUSSETED  
DOUBLE  
CORNER**



**4751**

10/CTN  
217 LBS/100

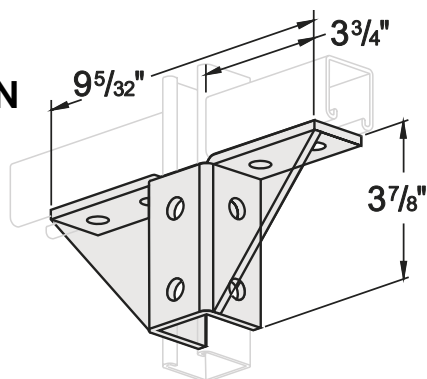
**8 HOLE  
GUSSETED  
DOUBLE  
CORNER**



**4752**

5/CTN  
315 LBS/100

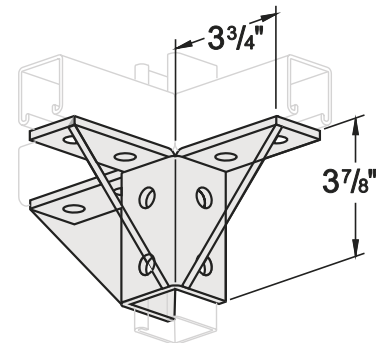
**10 HOLE  
GUSSETED  
DOUBLE  
CONNECTION**



**4753**

5/CTN  
285 LBS/100

**12 HOLE  
GUSSETED  
TRIPLE  
CONNECTION**



**4754**

5/CTN  
330 LBS/100

UNLESS SPECIFIED, MATERIAL IS 1-5/8" WIDE. HOLES ARE 9/16" DIAMETER, 13/16" CENTER TO EDGE, & SPACED 1-7/8" ON CENTER.  
STANDARD FINISH - EG ALSO AVAILABLE: STAINLESS STEEL & HOT DIPPED GALVANIZED

10.11

EUGENE FASTENER & SUPPLY CO.  
595 WILSON STREET  
EUGENE, OR 97402



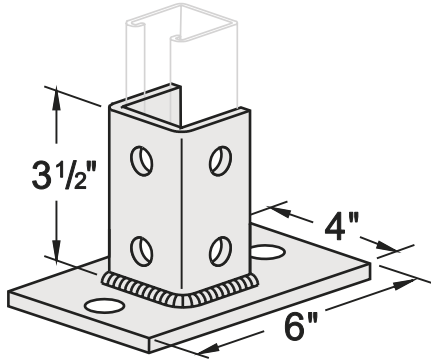
PHONE: 541-342-5978  
TOLL FREE: 800-929-5978  
FAX: 541-342-1385

**27**

# POST BASE

## CHANNEL FITTINGS

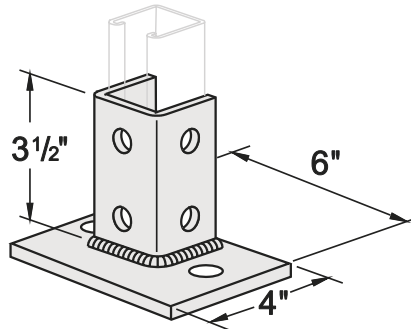
**6 HOLE**



**4768**

10/CTN  
257 LBS/100

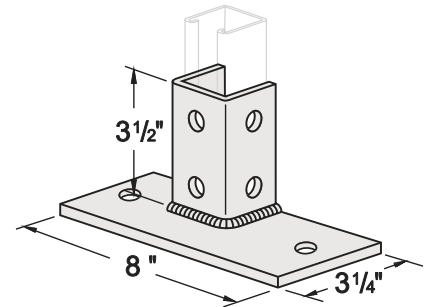
**6 HOLE FLUSH MOUNT**



**4769**

10/CTN  
257 LBS/100

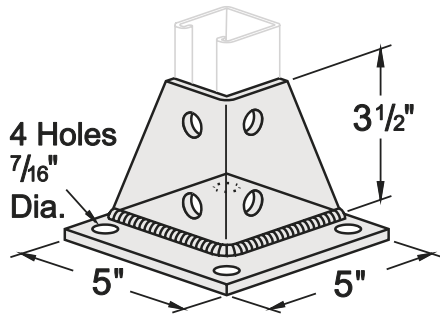
**6 HOLE FLUSH MOUNT**



**4770**

10/CTN  
312 LBS/100

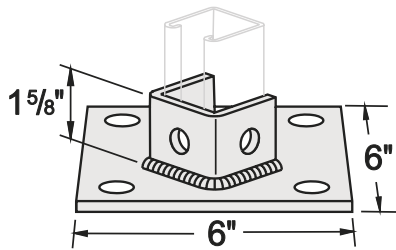
**4 HOLE**



**4767**

5/CTN  
290 LBS/100

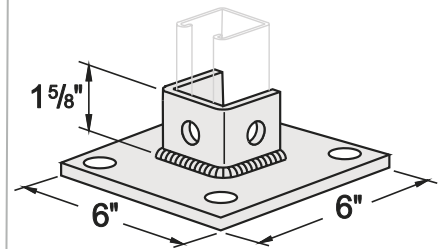
**3 HOLE ANGLED**



**4771**

10/CTN  
275 LBS/100

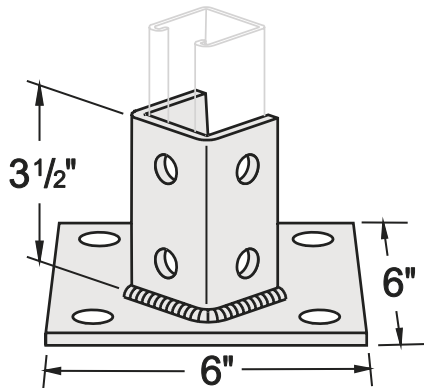
**3 HOLE**



**4772**

10/CTN  
275 LBS/100

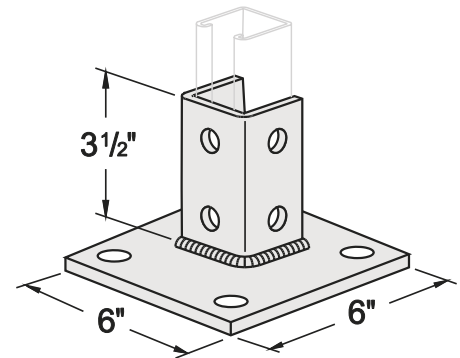
**6 HOLE ANGLED**



**4773**

5/CTN  
333 LBS/100

**6 HOLE**



**4774**

5/CTN  
333 LBS/100

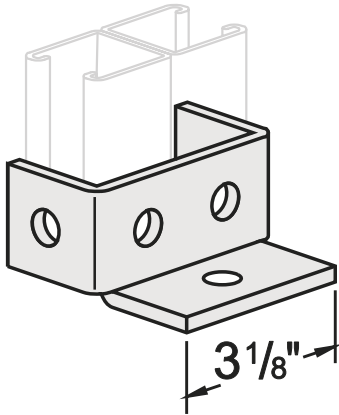
UNLESS SPECIFIED, MATERIAL IS 1-5/8" WIDE. HOLES ARE 9/16" DIAMETER, 13/16" CENTER TO EDGE, & SPACED 1-7/8" ON CENTER. STANDARD FINISH - EG ALSO AVAILABLE: STAINLESS STEEL & HOT DIPPED GALVANIZED

10.11

# POST BASE

## CHANNEL FITTINGS

### 5 HOLE DOUBLE CHANNEL



**4766**

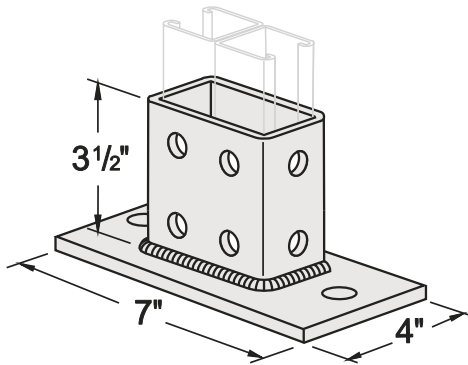
5/CTN  
130 LBS/100

QUALITY QUALITY QUALITY  
QUALITY QUALITY QUALITY



QUALITY QUALITY QUALITY

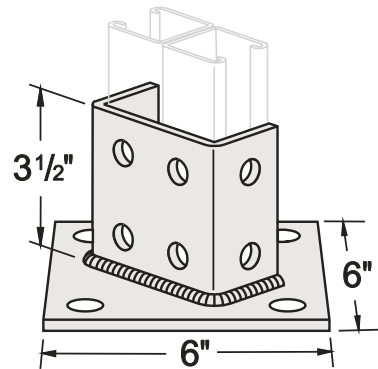
### 12 HOLE DOUBLE CHANNEL



**4775**

5/CTN  
311 LBS/100

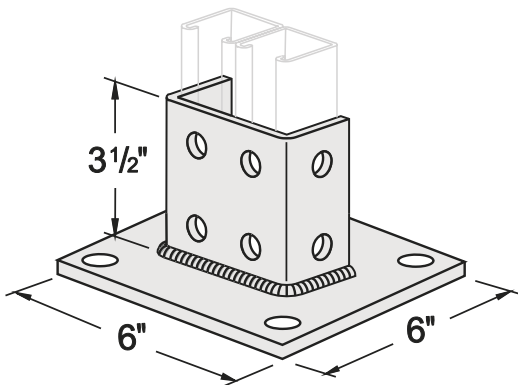
### 8 HOLE ANGLED DOUBLE CHANNEL



**4776**

5/CTN  
375 LBS/100

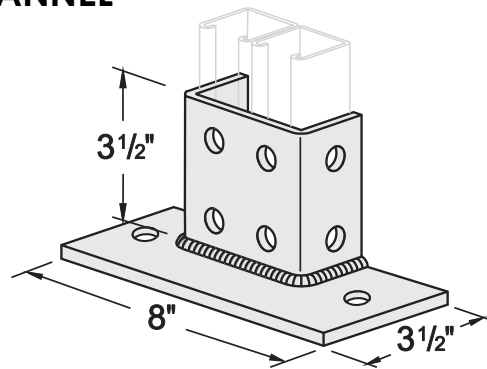
### 8 HOLE DOUBLE CHANNEL



**4777**

5/CTN  
375 LBS/100

### 8 HOLE FLUSH MOUNT DOUBLE CHANNEL



**4778**

5/CTN  
320 LBS/100

UNLESS SPECIFIED, MATERIAL IS 1-5/8" WIDE. HOLES ARE 9/16" DIAMETER, 13/16" CENTER TO EDGE, & SPACED 1-7/8" ON CENTER.  
STANDARD FINISH - EG ALSO AVAILABLE: STAINLESS STEEL & HOT DIPPED GALVANIZED

10.11

EUGENE FASTENER & SUPPLY CO.  
595 WILSON STREET  
EUGENE, OR 97402



PHONE: 541-342-5978  
TOLL FREE: 800-929-5978  
FAX: 541-342-1385

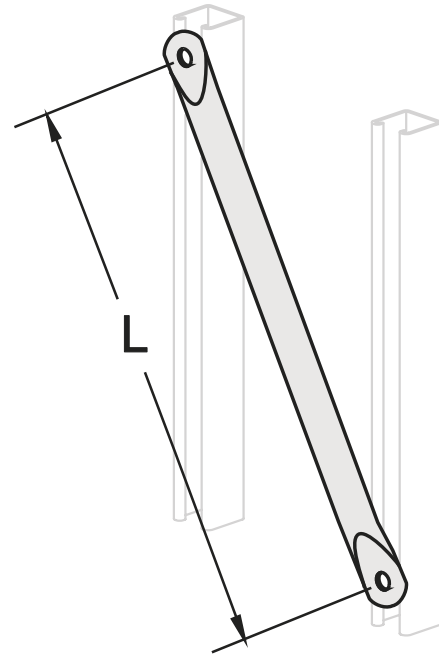
**29**

# BRACES & BRACKETS

## CHANNEL FITTINGS

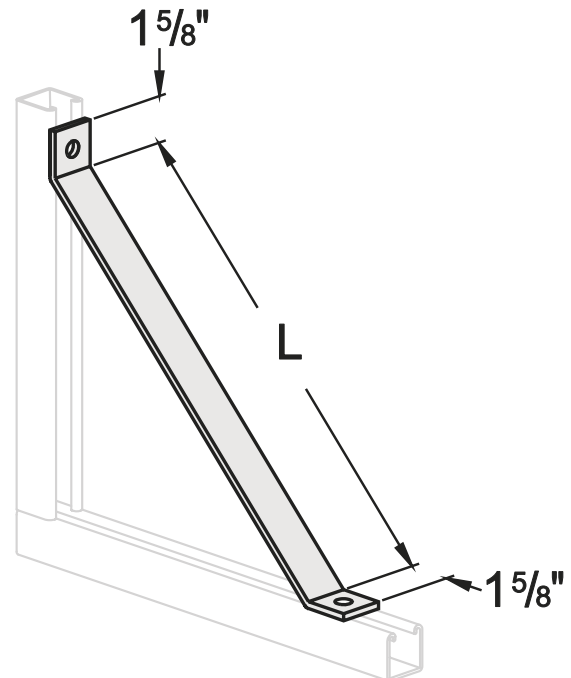
### 2 HOLE 1" ROUND STRAIGHT DIAGONAL TUBING BRACE 14 GAUGE

LENGTH	PART #	CTN./QTY.	WGT./100
36"	<a href="#">478136</a>	BULK	205
42"	<a href="#">478142</a>	BULK	235
48"	<a href="#">478148</a>	BULK	270
54"	<a href="#">478154</a>	BULK	300
60"	<a href="#">478160</a>	BULK	335
72"	<a href="#">478172</a>	BULK	400



### 2 HOLE CHANNEL BRACE

LENGTH	PART #	CTN./QTY.	WGT./100
12"	<a href="#">478312</a>	15	168
16-5/8"	<a href="#">478316</a>	BULK	230
18"	<a href="#">478318</a>	BULK	238
24"	<a href="#">478324</a>	BULK	280



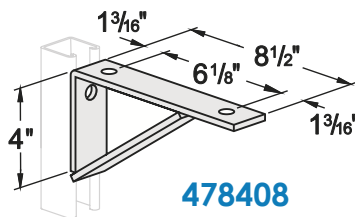
STANDARD FINISH - EG ALSO AVAILABLE: STAINLESS STEEL & HOT DIPPED GALVANIZED

10.11

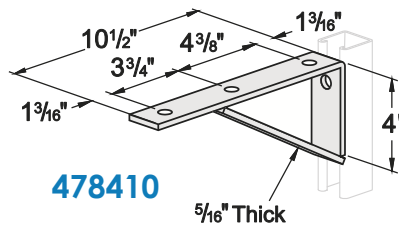
# BRACES & BRACKETS

## CHANNEL FITTINGS

### HEAVY DUTY SHELF BRACKET

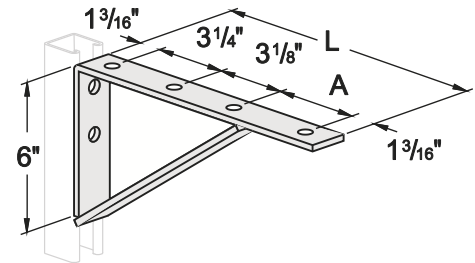


478408

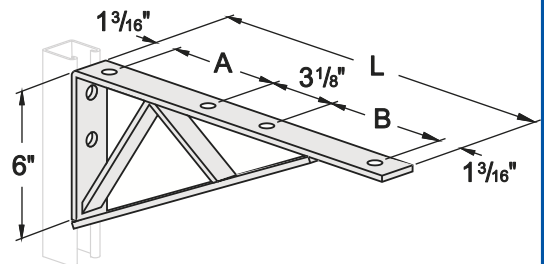


478410

### 478412 - 478414

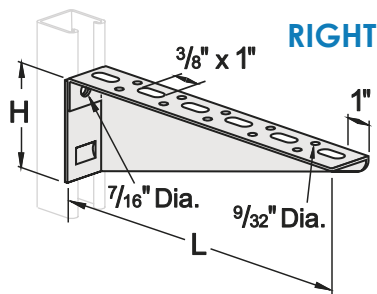
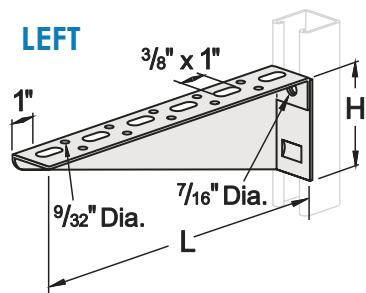


### 478416 - 478420



LENGTH	PART #	A	B	CTN./QTY.	WGT./100
8-1/2"	478408	-	-	BULK	175
10-1/2"	478410	-	-	BULK	200
12-1/2"	478412	3-3/4"	-	BULK	260
14-1/2"	478414	5-3/4"	-	BULK	295
16-1/2"	478416	5-1/4"	5-3/4"	BULK	385
18-1/2"	478418	5-1/4"	7-3/4"	BULK	420
20-1/2"	478420	7-1/4"	7-3/4"	BULK	460

### 12 GAUGE SHELF BRACKET W/ SLOTS



PART #		H	LENGTH	CTN./QTY.	WGT./100
478506L	478506R	1-15/16"	6"	BULK	67
478508L	478508R	2-7/16"	8"	BULK	92
478510L	478510R	2-15/16"	10"	BULK	120
478512L	478512R	3-7/16"	12"	BULK	152
478514L	478514R	3-15/16"	14"	BULK	173
478516L	478516R	4-7/16"	16"	BULK	223
478518L	478518R	4-15/16"	18"	BULK	266
478520L	478520R	5-7/16"	20"	BULK	295
478522L	478522R	5-15/16"	22"	BULK	361
478524L	478524R	6-7/16"	24"	BULK	400
478526L	478526R	6-15/16"	26"	BULK	456
478528L	478528R	7-7/16"	28"	BULK	479
478530L	478530R	7-15/16"	30"	BULK	544

STANDARD FINISH - EG ALSO AVAILABLE: STAINLESS STEEL & HOT DIPPED GALVANIZED

EUGENE FASTENER & SUPPLY CO.  
595 WILSON STREET  
EUGENE, OR 97402



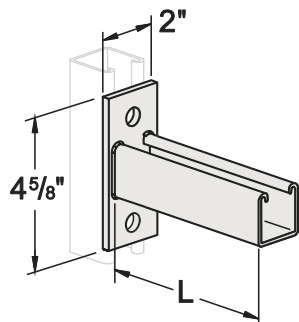
PHONE: 541-342-5978  
TOLL FREE: 800-929-5978  
FAX: 541-342-1385

10.11

# BRACES & BRACKETS

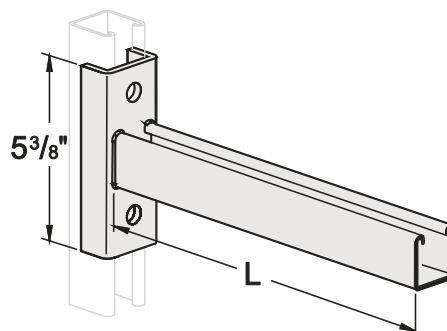
## CHANNEL FITTINGS

### SINGLE CHANNEL REVERSIBLE BRACKET



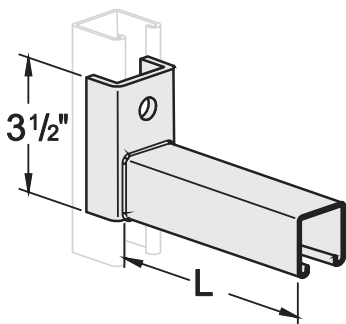
LENGTH	P/N	CTN. QTY.	WGT/100
6"	<a href="#">478606</a>	10	185
12"	<a href="#">478612</a>	10	239
18"	<a href="#">478618</a>	5	401
24"	<a href="#">478624</a>	5	509

### SINGLE CHANNEL REVERSIBLE CLEVIS BRACKET



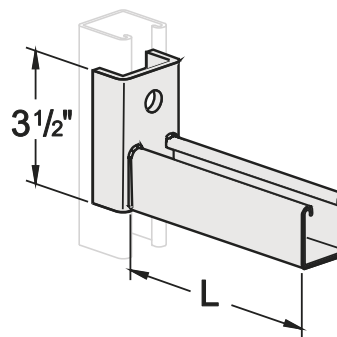
LENGTH	P/N	CTN. QTY.	WGT/100
18"	<a href="#">478918</a>	5	436
24"	<a href="#">478924</a>	5	536

### CLEVIS BRACKET OPENING DOWN



LENGTH	P/N	CTN. QTY.	WGT/100
6"	<a href="#">478706</a>	10	191
12"	<a href="#">478712</a>	10	292

### CLEVIS BRACKET OPENING UP



LENGTH	P/N	CTN. QTY.	WGT/100
6"	<a href="#">478806</a>	10	191
12"	<a href="#">478812</a>	10	292

STANDARD FINISH - EG ALSO AVAILABLE: STAINLESS STEEL & HOT DIPPED GALVANIZED

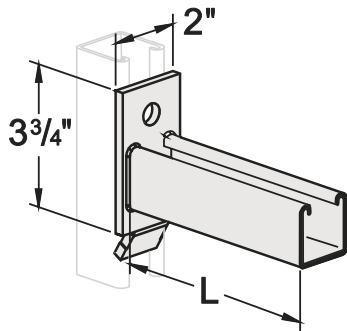
10.11



# BRACES & BRACKETS

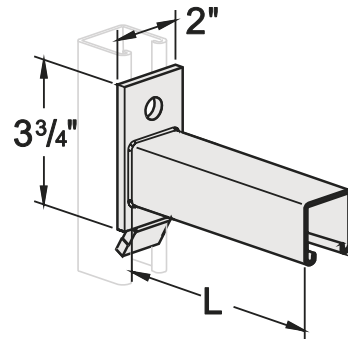
## CHANNEL FITTINGS

### NO SWIVEL CHANNEL BRACKET OPENING UP



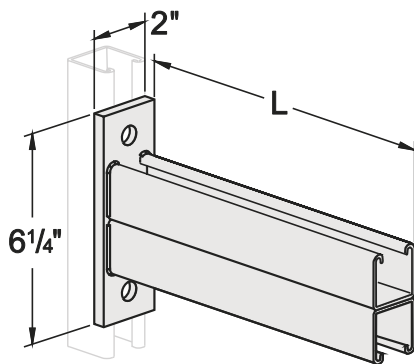
LENGTH	P/N	CTN. QTY.	WGT/100
6"	<a href="#">479006</a>	10	161
12"	<a href="#">479012</a>	10	261
18"	<a href="#">479018</a>	5	361
24"	<a href="#">479024</a>	5	461

### NO SWIVEL CHANNEL BRACKET OPENING DOWN



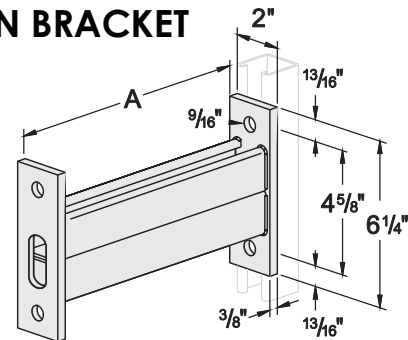
LENGTH	P/N	CTN. QTY.	WGT/100
6"	<a href="#">479306</a>	10	161
12"	<a href="#">479312</a>	10	261
18"	<a href="#">479318</a>	5	361
24"	<a href="#">479324</a>	5	461

### DOUBLE CHANNEL BRACKET



LENGTH	P/N	CTN. QTY.	WGT/100
12"	<a href="#">479112</a>	BULK	490
18"	<a href="#">479118</a>	BULK	670
24"	<a href="#">479124</a>	BULK	860
30"	<a href="#">479130</a>	BULK	1050
36"	<a href="#">479136</a>	BULK	1240
42"	<a href="#">479142</a>	BULK	1430

### DOUBLE CHANNEL STANCHION BRACKET



LENGTH	P/N	CTN. QTY.	WGT/100
24"	<a href="#">479224</a>	BULK	960
30"	<a href="#">479230</a>	BULK	1150
36"	<a href="#">479236</a>	BULK	1340
42"	<a href="#">479242</a>	BULK	1530
48"	<a href="#">479248</a>	BULK	1720

STANDARD FINISH - EG ALSO AVAILABLE: STAINLESS STEEL & HOT DIPPED GALVANIZED

EUGENE FASTENER & SUPPLY CO.  
595 WILSON STREET  
EUGENE, OR 97402



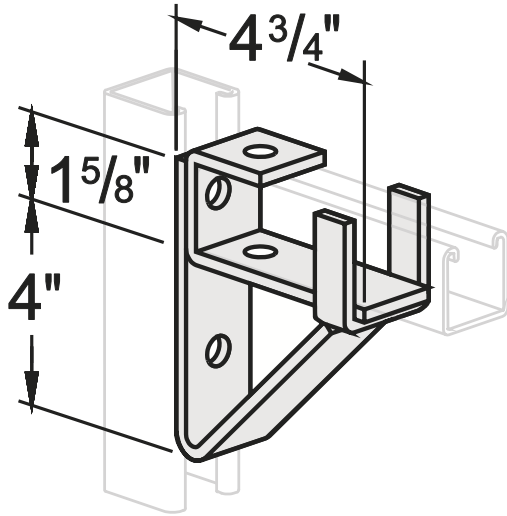
PHONE: 541-342-5978  
TOLL FREE: 800-929-5978  
FAX: 541-342-1385

10.11

# BRACES & BRACKETS

## CHANNEL FITTINGS

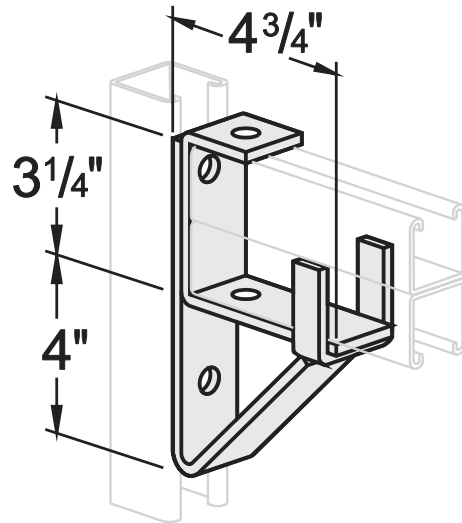
SINGLE CHANNEL  
BRACKET SUPPORT



**4794**

10/CTN  
235 LBS/100

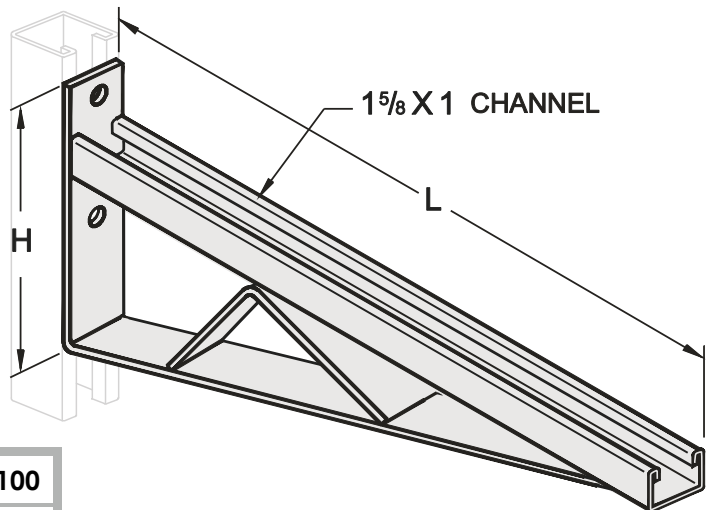
DOUBLE CHANNEL  
BRACKET SUPPORT



**4795**

BULK/CTN  
275 LBS/100

BRACED CABLE TRAY  
STRUT BRACKET



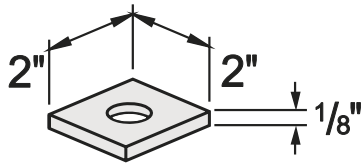
L	H	P/N	CTN. QTY.	WGT/100
12"	8-3/4"	<b>479612</b>	BULK	388
18"	8-3/4"	<b>479618</b>	BULK	506
24"	8-3/4"	<b>479624</b>	BULK	763
30"	11-1/4"	<b>479630</b>	BULK	1012
36"	11-3/4"	<b>479636</b>	BULK	1068

STANDARD FINISH - EG ALSO AVAILABLE: STAINLESS STEEL & HOT DIPPED GALVANIZED

10.11

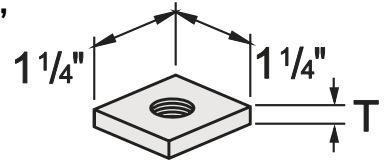
# MISC. HARDWARE

## 2" X 2" SQUARE WASHER



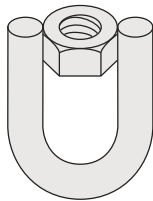
PART #	HOLE SIZE	CTN. QTY.	WGT./ 100
4595	3/8"	100	13
4596	1/2"	100	13

## 1-1/4" X 1-1/4" SQUARE NUT



PART #	HOLE SIZE	THICK	CTN. QTY.	WGT./ 100
4841	1/4-20	1/4"	100	10
4842	3/8-16	3/8"	100	15
4843	1/2-13	1/2"	100	18
4844	5/8-11	1/2"	100	17
4845	3/4-10	1/2"	100	15

## FEMALE SWIVEL



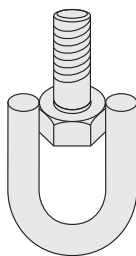
PART #	SIZE	CTN. QTY.	WGT./ 100
4853F	3/8-16	25	12
4854F	1/2-13	25	15

## FEMALE/FEMALE SWIVEL



PART #	SIZE	CTN. QTY.	WGT./ 100
4853FF	3/8-16	50	24
4854FF	1/2-13	50	24

## MALE SWIVEL



PART #	SIZE	STUD LENGTH	CTN. QTY.	WGT./ 100
4853M	3/8-16	1"	25	15
4854M	1/2-13	1"	25	20

## MALE/FEMALE SWIVEL



PART #	SIZE	STUD LENGTH	CTN. QTY.	WGT./ 100
4853MF	3/8-16	1"	50	26
4854MF	1/2-13	1"	50	35

STANDARD FINISH - EG ALSO AVAILABLE: STAINLESS STEEL

EUGENE FASTENER & SUPPLY CO.  
595 WILSON STREET  
EUGENE, OR 97402



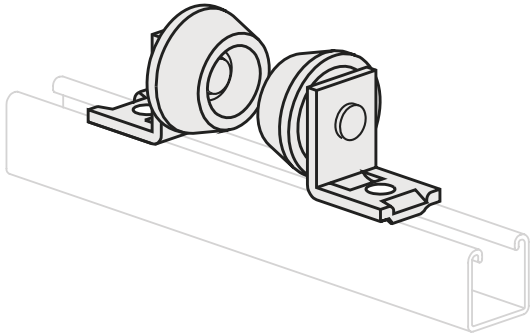
PHONE: 541-342-5978  
TOLL FREE: 800-929-5978  
FAX: 541-342-1385

10.11

35

# MISC. HARDWARE

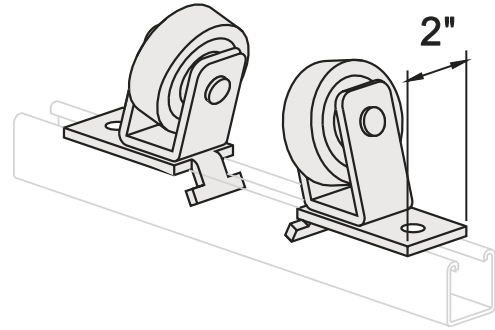
**2 ROLLER NO SWIVEL  
PIPE SUPPORT  
ADJUSTABLE  
1" - 8"**



**4858**

BULK  
150 LBS/100

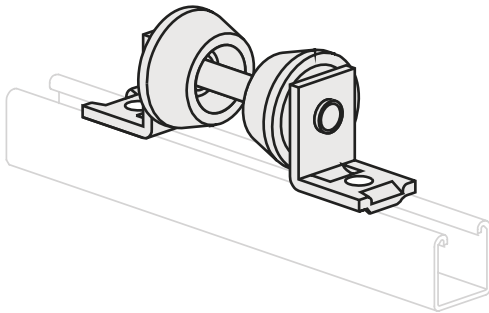
**2 ROLLER  
PIPE SUPPORT  
ADJUSTABLE  
6" - 18"**



**4860**

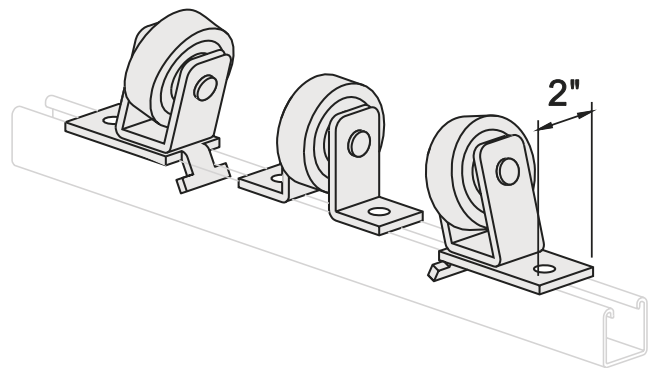
BULK  
397 LBS/100

**PIPE ROLLER ASSEMBLY**



P/N	SIZE RANGE	CTN. QTY.	LBS/100
<b>485903</b>	1" - 3"	BULK	159
<b>485904</b>	2-1/2" - 4"	BULK	166
<b>485906</b>	4" - 6"	BULK	179
<b>485908</b>	6" - 8"	BULK	182
<b>485910</b>	9" - 10"	BULK	190
<b>485912</b>	12"	BULK	193

**3 ROLLER  
PIPE SUPPORT  
ADJUSTABLE  
20" - 30"**



**4861**

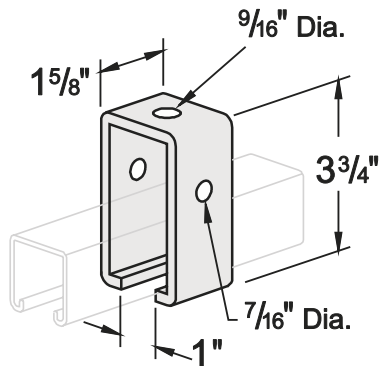
BULK  
587 LBS/100

STANDARD FINISH - EG

10.11

# MISC. HARDWARE

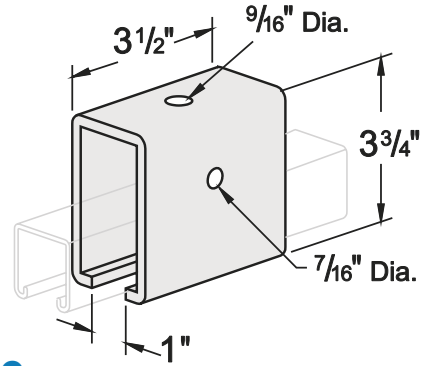
## INTERMEDIATE SUPPORT FOR 1-5/8" TROLLEY TRACK



**4872**

20/CTN  
110 LBS/100

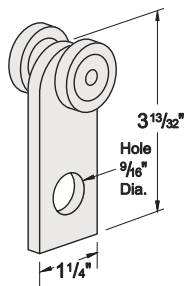
## SPLICE SUPPORT FOR 1-5/8" TROLLEY TRACK



**4873**

10/CTN  
220 LBS/100

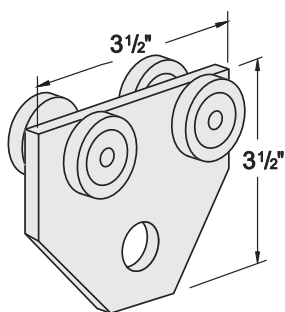
## 1 HOLE 2 WHEEL TROLLEY



**4869**

20/CTN  
60 LBS/100

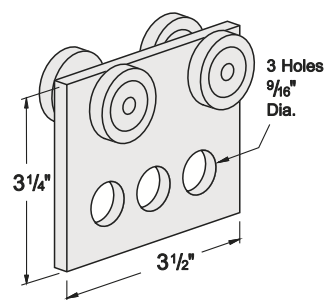
## 1 HOLE 4 WHEEL TROLLEY



**4870**

10/CTN  
112 LBS/100

## 3 HOLE 4 WHEEL TROLLEY



**4871**

BULK  
125 LBS/100

STANDARD FINISH - EG

10.11

EUGENE FASTENER & SUPPLY CO.  
595 WILSON STREET  
EUGENE, OR 97402

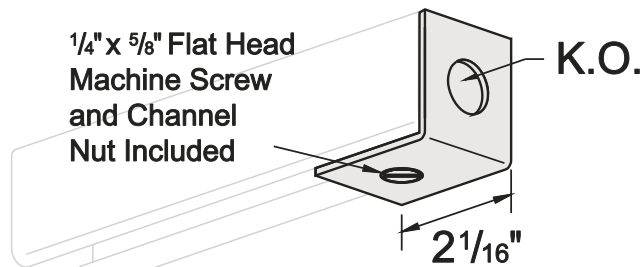


PHONE: 541-342-5978  
TOLL FREE: 800-929-5978  
FAX: 541-342-1385

**37**

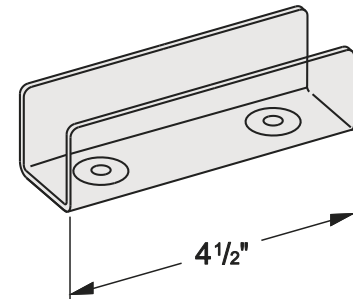
# MISC. HARDWARE

## RACEWAY ENDCAP FOR 1-5/8" CHANNEL



PART #	K.O.	CTN. QTY.	WGT./100
4895	1/2"	50	21
4896	3/4"	50	21

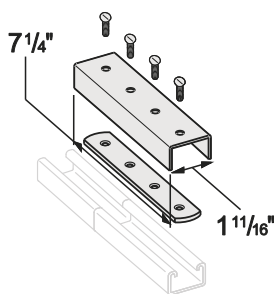
## INTERNAL U JOINER FOR 1-5/8" CHANNEL



**4897**

50/CTN  
50 LBS/100

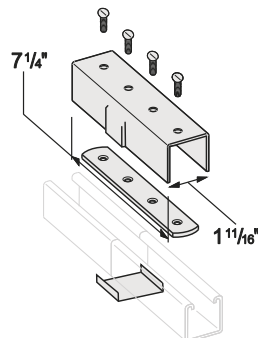
## RACEWAY SPLICE PLATE FOR 13/16" CHANNEL



**4898**

25/CTN  
85 LBS/100

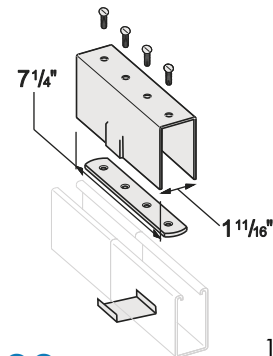
## RACEWAY SPLICE PLATE FOR 1-5/8" CHANNEL



**4899**

25/CTN  
134 LBS/100

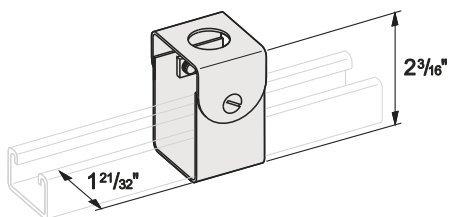
## RACEWAY SPLICE PLATE FOR 3-1/4" CHANNEL



**4900**

10/CTN  
155 LBS/100

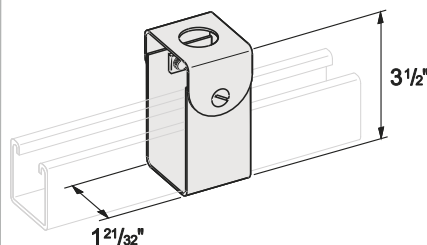
## DBL. CLEVIS HANGER FOR 13/16" & 1" CHANNEL



**4901**

25/CTN  
34 LBS/100

## DBL. CLEVIS HANGER FOR 1-5/8" CHANNEL



**4902**

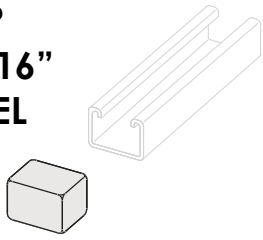
25/CTN  
40 LBS/100

STANDARD FINISH - EG

10.11

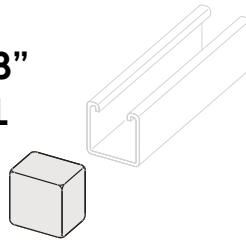
# MISC. HARDWARE

## ENDCAP FOR 13/16" CHANNEL



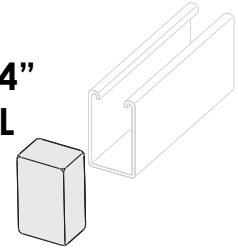
PART #	COLOR	CTN. QTY.	WGT./100
4882R	RED	50	2.8
4882W	WHITE	50	2.8
4882Y	YELLOW	50	2.8
4882GY	GREY	50	2.8

## ENDCAP FOR 1-5/8" CHANNEL



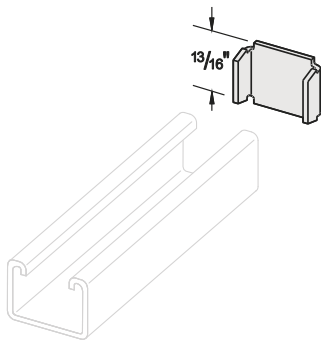
PART #	COLOR	CTN. QTY.	WGT./100
4881R	RED	50	4.2
4881W	WHITE	50	4.2
4881Y	YELLOW	50	4.2
4881GY	GREY	50	4.2

## ENDCAP FOR 3-1/4" CHANNEL



PART #	COLOR	CTN. QTY.	WGT./100
4880R	RED	50	7.3
4880W	WHITE	50	7.3
4880Y	YELLOW	50	7.3
4880GY	GREY	50	7.3

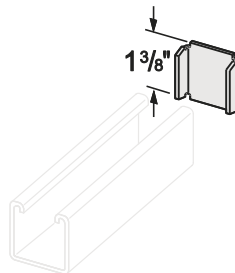
## RACEWAY ENDCAP FOR 13/16" CHANNEL



**4890**

100/CTN  
4 LBS/100

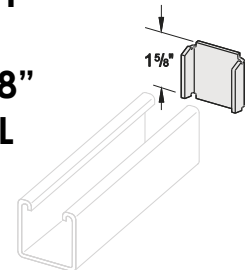
## RACEWAY ENDCAP FOR 1-3/8" CHANNEL



**4891**

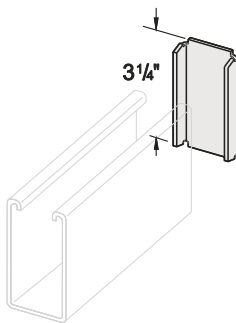
100/CTN  
6 LBS/100

## RACEWAY ENDCAP FOR 1-5/8" CHANNEL



PART #	CHANNEL	CTN. QTY.	WGT./100
4892	12 GA,	100	10
4893	14 GA,	100	8

## RACEWAY ENDCAP FOR 3-1/4" CHANNEL



**4894**

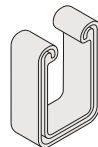
100/CTN  
16 LBS/100

## OPEN SAFETY END CAP

ADD COLOR CODE AFTER PART #  
(GY)GREY, (R)RED, (W)WHITE, (Y)YELLOW

**4883**

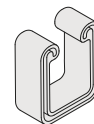
FOR USE WITH  
3-1/4" CHANNEL



50/CTN  
5.6 LBS/100

**4884**

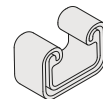
FOR USE WITH  
1-5/8" CHANNEL



50/CTN  
4.1 LBS/100

**4885**

FOR USE WITH  
13/16" CHANNEL



50/CTN  
3.5 LBS/100

STANDARD FINISH - EG, FOR METAL ENDCAPS

EUGENE FASTENER & SUPPLY CO.  
595 WILSON STREET  
EUGENE, OR 97402



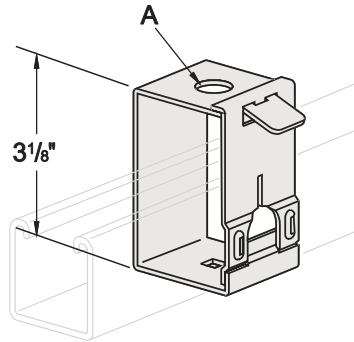
PHONE: 541-342-5978  
TOLL FREE: 800-929-5978  
FAX: 541-342-1385

10.11

**39**

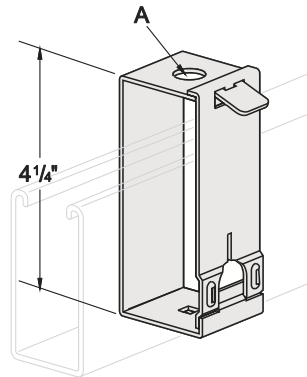
# MISC. HARDWARE

## SWING GATE HANGER FOR 1-5/8" CHANNEL



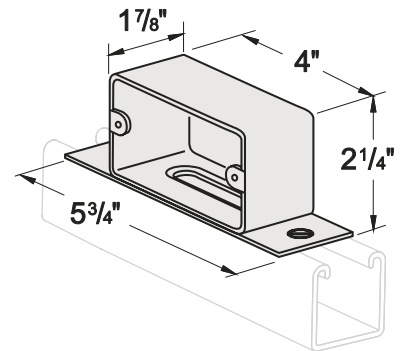
PART #	A	QTY. CTN.	WGT./ 100
4905	9/16"	20	23
4906	7/8"	20	25

## SWING GATE HANGER FOR 3-1/4" CHANNEL



PART #	A	QTY. CTN	WGT./ 100
4907	9/16"	20	30
4908	7/8"	20	30

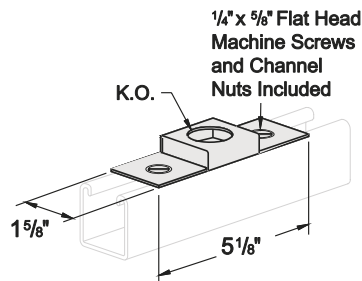
## HANDY OUTLET BOX



**4912**

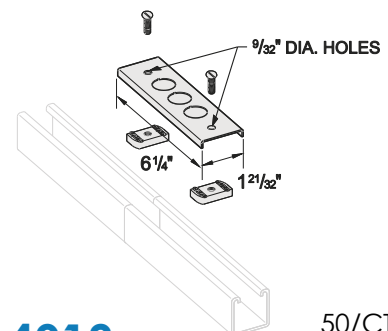
20/CTN  
85 LBS/100

## CONDUIT CONNECTOR



PART #	SIZE	HOLE	QTY. CTN.	WGT./ 100
4910	1/2"	7/8"	25	28
4911	3/4"	1-3/32"	25	28

## CONNECTION PLATE W/ 3 7/8" KNOCKOUTS



**4913**

50/CTN  
35 LBS/100

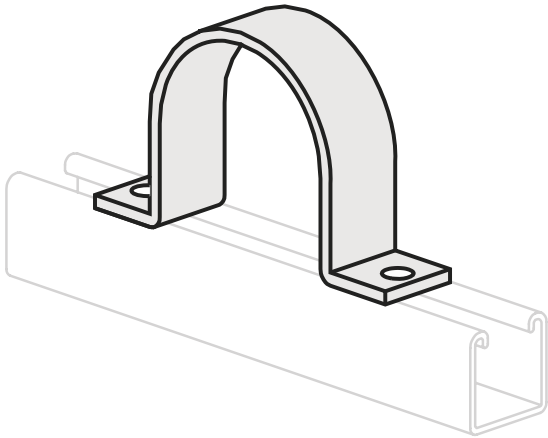
STANDARD FINISH - EG

10.11



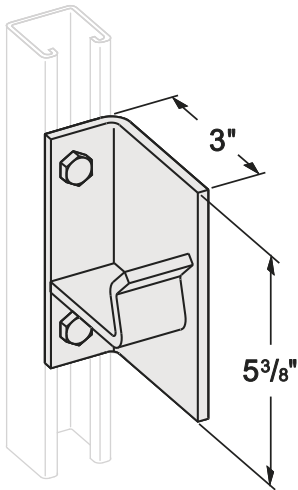
# MISC. HARDWARE

## 2 HOLE HOLD DOWN STRAP FOR IRON PIPE & RIGID CONDUIT



PART #	PIPE SIZE	HOLE SIZE	QTY. CTN.	WGT./100	
486301	1/2"	9/32"	25	23	
486302	3/4"			26	
486303	1"			31	
486304	1-1/4"			35	
486305	1-1/2"			39	
486306	2"	7/16"	10	94	
486307	2-1/2"			114	
486308	3"			133	
486309	3-1/2"			BULK	152
486310	4"				176
486311	5"		198		
486312	6"		225		
486313	8"		9/16"		300
486314	10"		11/16"	425	

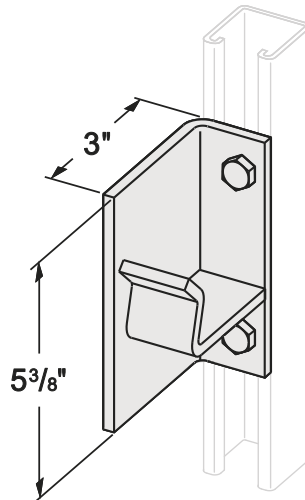
## 2 HOLE R.H. AXLE SUPPORT FOR 1-1/2" RIGID



**4866R**

BULK/CTN  
225 LBS/100

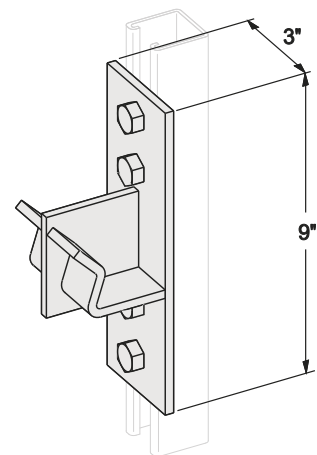
## 2 HOLE L.H. AXLE SUPPORT FOR 1-1/2" RIGID PIPE



**4866L**

BULK/CTN  
225 LBS/100

## 3 HOLE DOUBLE AXLE SUPPORT 1-1/2" RIGID PIPE



**4867**

BULK/CTN  
326 LBS/100

STANDARD FINISH - EG

EUGENE FASTENER & SUPPLY CO.  
595 WILSON STREET  
EUGENE, OR 97402

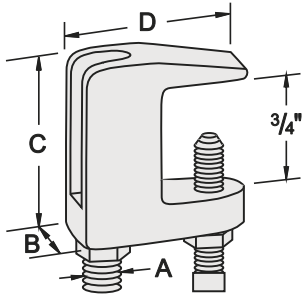


PHONE: 541-342-5978  
TOLL FREE: 800-929-5978  
FAX: 541-342-1385

10.11

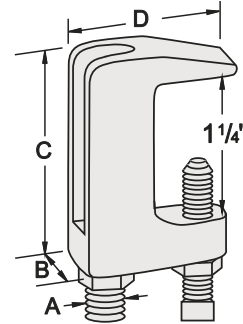
# BEAM CLAMPS

## UNIVERSAL MALLEABLE BEAM CLAMPS



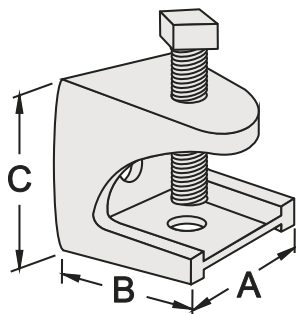
SIZE A	PLAIN	E/G	B	C	D	CTN QTY	WGT /100
3/8	5103-101	5103-201	13/16"	1-5/8"	1-7/8"	100	28
1/2	5104-101	5104-201	1-1/8"	1-3/4"	1-3/4"	100	40
5/8	5105-101	5105-201	1-1/8"	1-7/8"	1-7/8"	50	43
3/4	5106-101	5106-201	1-5/16"	1-7/8"	2-3/8"	50	69
7/8	5107-101	5107-201	1-5/16"	1-7/8"	2-3/8"	25	69

## WIDE THROAT MALLEABLE BEAM CLAMPS



SIZE A	PLAIN	E/G	B	C	D	CTN QTY	WGT /100
3/8	5113-101	5113-201	15/16"	2"	1-3/4"	100	37
1/2	5114-101	5114-201	15/16"	2-1/8"	1-3/4"	100	42
5/8	5115-101	5115-201	1-1/4"	2-1/4"	2-3/8"	50	80
3/4	5116-101	5116-201	1-3/8"	2-1/2"	2-1/2"	50	95

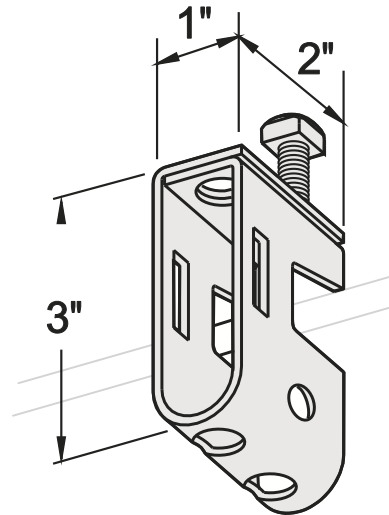
## ROD INSULATOR MALLEABLE BEAM CLAMPS E/G



SIZE	MAX. FLANGE
1/4	5/8"
3/8	3/4"
1/2	7/8"

SIZE	E/G	316 SS	A	B	C	CTN. QTY.	WGT /100
1/4	5130-202	5130-802	1-1/8"	1-1/4"	1-3/8"	25	22
3/8	5130-203	5130-803	2"	2"	1-3/4"	10	70
1/2	5130-204	5130-804	2-5/16"	2-1/8"	2-1/8"	10	120

## 3/4" MAXIMUM FLANGE BEAM CLAMP E/G

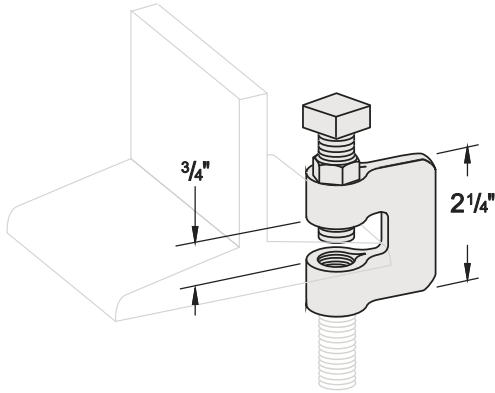


4812

25/CTN  
38 LBS/100

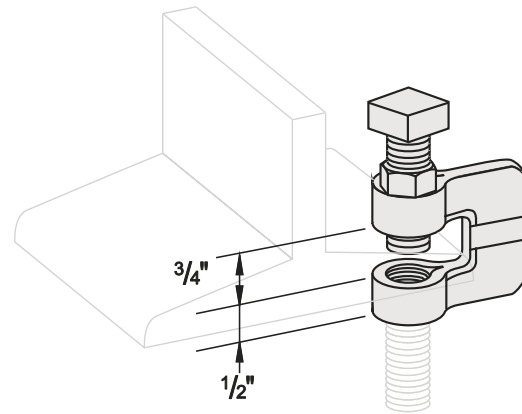
# BEAM CLAMPS

## STEEL C-CLAMP W/ LOCK NUT



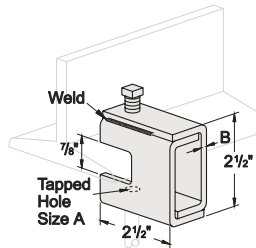
SIZE	PLAIN	E/G	CTN. QTY.	WGT/100
3/8	<a href="#">5203-101</a>	<a href="#">5203-201</a>	100	45
1/2	<a href="#">5204-101</a>	<a href="#">5204-201</a>	100	46
5/8	<a href="#">5205-101</a>	<a href="#">5205-201</a>	50	66
3/4	<a href="#">5206-101</a>	<a href="#">5206-201</a>	50	86
7/8	<a href="#">5207-101</a>	<a href="#">5207-201</a>	25	176

## MALLEABLE C-CLAMP



SIZE	PLAIN	E/G	CTN. QTY.	WGT/100
3/8	<a href="#">5213-101</a>	<a href="#">5213-201</a>	100	26
1/2	<a href="#">5214-101</a>	<a href="#">5214-201</a>	100	29
5/8	<a href="#">5215-101</a>	<a href="#">5215-201</a>	50	72
3/4	<a href="#">5216-101</a>	<a href="#">5216-201</a>	50	98

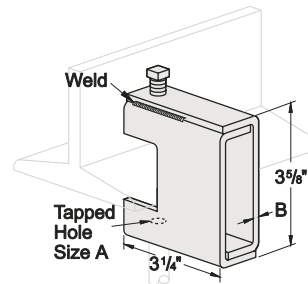
## BEAM CLAMPS W/ 7/8" JAW OPENING



ONLY AVAILABLE IN E/G

ROD SIZE (A)	WALL THICKNESS (B)	PART #	CTN. QTY.	WGT/100
1/4	1/8"	<a href="#">4815</a>	10	71
3/8	1/8"	<a href="#">4816</a>	10	72
3/8	3/16"	<a href="#">4817</a>	10	97
1/2	3/16"	<a href="#">4818</a>	10	97
1/2	1/4"	<a href="#">4819</a>	10	131
5/8	1/4"	<a href="#">4820</a>	10	133
5/8	5/16"	<a href="#">4821</a>	10	160
3/4	5/16"	<a href="#">48213</a>	10	160

## BEAM CLAMPS W/ 1-21/32" JAW OPENING

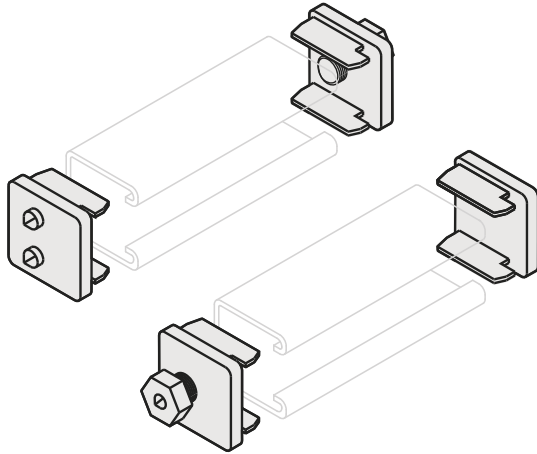


ONLY AVAILABLE IN E/G

ROD SIZE (A)	WALL THICKNESS (B)	PART #	CTN. QTY.	WGT/100
1/4	1/8"	<a href="#">4822</a>	10	113
3/8	1/8"	<a href="#">4823</a>	10	113
3/8	3/16"	<a href="#">4824</a>	10	151
1/2	3/16"	<a href="#">4825</a>	10	151
1/2	1/4"	<a href="#">4826</a>	10	205
5/8	5/16"	<a href="#">48265</a>	10	246

# BEAM CLAMPS

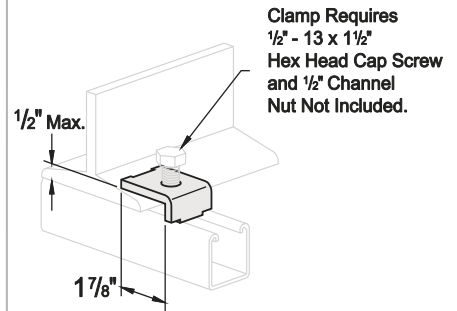
## COLUMN CLAMP



**4803**

25 PAIR/CTN  
56 LBS/100

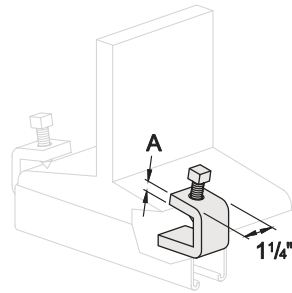
## BEAM CLAMP



**4804**

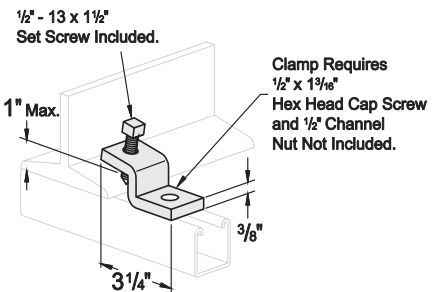
50/CTN  
30 LBS/100

## BEAM CLAMP FOR FLANGES UP TO 7/8" THICK



**4805**

## HEAVY DUTY BEAM CLAMP

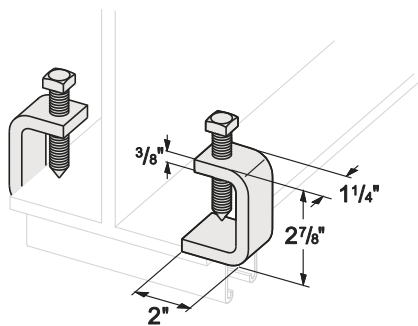


**4809**

25/CTN  
65 LBS/100

CLAMP THICKNESS	SCREW SIZE	PART #	QTY. CTN.	WGT/100
1/4"	3/8-16 X 1-1/2"	<b>4805</b>	50	39
3/8"	1/2-13 X 1-1/2"	<b>4806</b>	25	58

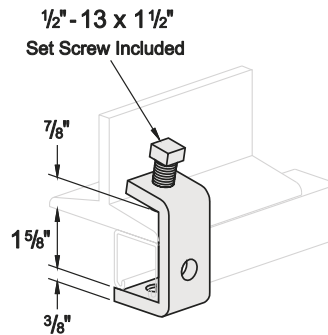
## HEAVY DUTY BEAM CLAMP FOR FLANGES 7/8" - 2" THICK



**4807**

25/CTN  
79 LBS/100

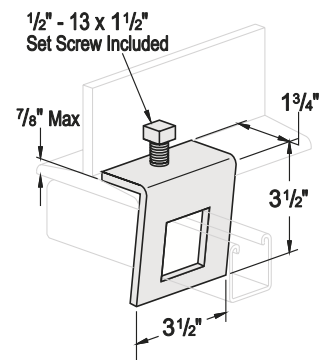
## HEAVY DUTY BEAM CLAMP



**4808**

25/CTN  
90 LBS/100

## ANGULAR WINDOW BEAM CLAMP



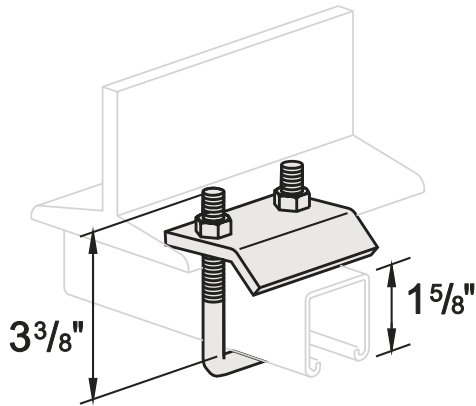
**4810**

25/CTN  
99 LBS/100

STANDARD FINISH - EG

# BEAM CLAMPS

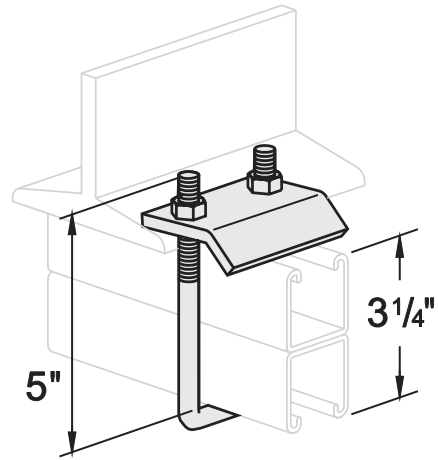
**U-BOLT  
BEAM CLAMP**



**4828**

25/CTN  
69 LBS/100

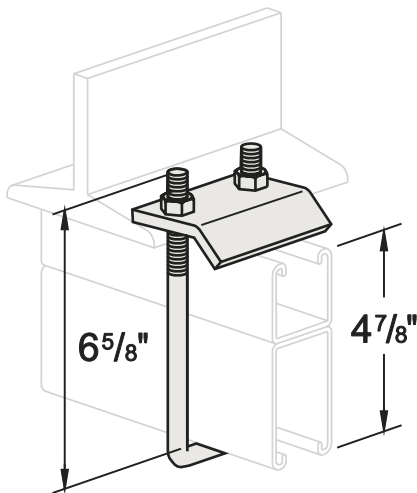
**U-BOLT  
BEAM CLAMP**



**4829**

25/CTN  
78 LBS/100

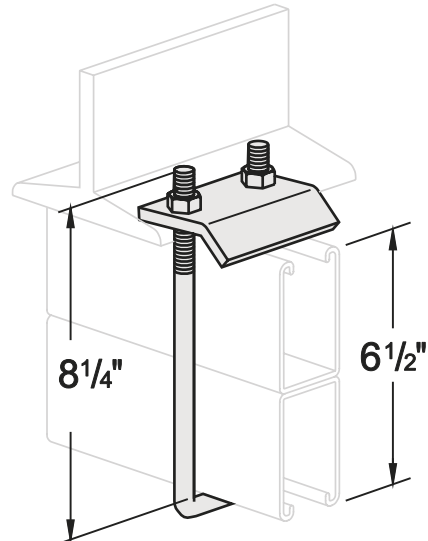
**U-BOLT  
BEAM CLAMP**



**4830**

25/CTN  
81 LBS/100

**U-BOLT  
BEAM CLAMP**



**4831**

25/CTN  
93 LBS/100

STANDARD FINISH - EG

EUGENE FASTENER & SUPPLY CO.  
595 WILSON STREET  
EUGENE, OR 97402



PHONE: 541-342-5978  
TOLL FREE: 800-929-5978  
FAX: 541-342-1385

10.11

**45**

# THREADED ROD

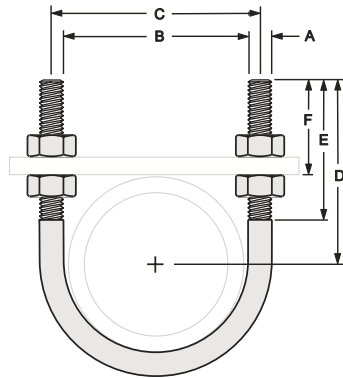


PART #	SIZE		PCS./TUBE	TUBES/BUNDLE	APPROX. WGT. PER		
					PIECE	TUBE	BUNDLE
TR042006	1/4-20	6'	50	40	0.7	36	1440
TR042010		10'	50	25	1.2	60	1500
TR042012		12'	50	25	1.4	72	1800
TR051806	5/16-18	6'	35	40	1.1	39	1596
TR051810		10'	35	25	1.9	66	1662
TR051812		12'	35	25	2.3	79	1995
TR061606	3/8-16	6'	25	40	1.7	43	1740
TR061610		10'	25	25	2.9	72	1812
TR061612		12'	25	25	3.5	87	2175
TR081306	1/2-13	6'	12	40	3.2	38	1526
TR081310		10'	12	25	5.3	63	1590
TR081312		12'	12	25	6.4	76	1908
TR101106	5/8-11	6'	8	40	5.0	39	1593
TR101110		10'	8	25	8.3	66	1660
TR101112		12'	8	25	10.0	79	1992
TR121006	3/4-10	6'	5	40	7.3	36	1464
TR121010		10'	5	25	12.2	61	1525
TR121012		12'	5	25	14.6	73	1830
TR14906	7/8-9	6'	4	40	9.9	39	1584
TR14910		10'	4	25	16.5	66	1650
TR14912		12'	4	25	19.8	79	1980
TR16806	1-8	6'	2	50	13.3	26	1332
TR16810		10'	2	50	22.2	44	2220
TR16812		12'	2	50	26.6	53	2664
TR18706	1-1/8-7	6'	1	10	16.9	16	168
TR18710		10'	1	10	28.1	28	281
TR18712		12'	1	10	33.7	33	337
TR20706	1-1/4-7	6'	1	10	21.0	21	210
TR20710		10'	1	10	35.0	35	350
TR20712		12'	1	10	42.0	42	420

STANDARD FINISH - EG ALSO AVAILABLE: STAINLESS STEEL, B7, & HOT DIPPED GALVANIZED

10.11

# U - B O L T S



PART #	PIPE SIZE	ROD SIZE A	B	C	D	E	F	CTN. QTY.	WGT/ 100
<a href="#">5718-104</a>	1/2	1/4"	15/16	1-3/16	2-3/4	2-1/8	2-5/16	100	11.0
<a href="#">5718-106</a>	3/4		1-1/8	1-3/8			2-7/32	100	12.0
<a href="#">5718-110</a>	1		1-3/8	1-5/8			2-3/32	100	12.0
<a href="#">5718-112</a>	1-1/4	3/8"	1-11/16	2-1/16	2-7/8	2-1/2	2-1/32	50	28.0
<a href="#">5718-114</a>	1-1/2		2	2-3/8	3		2-1/16	50	30.0
<a href="#">5718-120</a>	2	1/2"	2-7/16	2-13/16	3-1/4	3	2-1/16	50	33.0
<a href="#">5718-124</a>	2-1/2		2-15/16	3-7/16	3-3/4		2-5/16	25	73.0
<a href="#">5718-130</a>	3		3-9/16	4-1/16	4		25	78.0	
<a href="#">5718-134</a>	3-1/2	5/8"	4-1/16	4-9/16	4-1/4	3-3/4	2-1/4	25	84.0
<a href="#">5718-140</a>	4		4-9/16	5-1/16	4-1/2		25	90.0	
<a href="#">5718-150</a>	5		5-5/8	6-1/8	5		2-7/32	10	101.0
<a href="#">5718-160</a>	6	3/4"	6-3/4	7-3/8	6-1/8	4	2-13/16	10	200.0
<a href="#">5718-180</a>	8		8-3/4	9-3/8	7-1/8			10	233.0
<a href="#">5718-1910</a>	10	7/8"	10-7/8	11-5/8	8-3/8	4-1/4	3	BULK	491.0
<a href="#">5718-1912</a>	12		12-7/8	13-3/4	9-5/8		BULK	773.0	
<a href="#">5718-1914</a>	14		14-1/8	15	10-1/4		BULK	830.0	
<a href="#">5718-1916</a>	16	1"	16-1/8	17	11-1/4	4-3/4	3-5/8	BULK	920.0
<a href="#">5718-1918</a>	18		18-1/8	19-1/8	12-5/8			BULK	1350.0
<a href="#">5718-1920</a>	20		20-1/8	21-1/8	13-5/8			BULK	1460.0
<a href="#">5718-1924</a>	24	24-1/8	25-1/8	15-5/8	BULK	1690.0			

STANDARD FINISH - PLAIN ALSO AVAILABLE: EG, STAINLESS STEEL, & HOT DIPPED GALVANIZED

10.11

EUGENE FASTENER & SUPPLY CO.  
595 WILSON STREET  
EUGENE, OR 97402



PHONE: 541-342-5978  
TOLL FREE: 800-929-5978  
FAX: 541-342-1385

47

THIS PAGE INTENTIONALLY LEFT BLANK





# INDEX

P/N	PAGE	P/N	PAGE	P/N	PAGE	P/N	PAGE	P/N	PAGE	P/N	PAGE
4101.....	4	4147EZ.....	5	423516.....	5	4367.....	8	440804.....	9	4489.....	11
4102.....	4	4148.....	4	423520.....	5	4368.....	8	440805.....	9	4490.....	11
4103.....	4	4149.....	4	423524.....	5	4369.....	8	440806.....	9	4491.....	11
4104.....	4	4149EZ.....	5	423616.....	5	4370.....	8	440807.....	9	4492.....	11
4104SS2.....	4	4150.....	4	423620.....	5	4371.....	8	440808.....	9	4493.....	11
4105.....	4	4162.....	4	423624.....	5	4372.....	8	440809.....	9	4494.....	11
4106.....	4	4163.....	4	4301.....	7	4373.....	8	440810.....	9	4495.....	11
4106S2.....	4	4164.....	4	4302.....	7	4374.....	8	440811.....	9	4595.....	35
4107.....	4	4165.....	4	4303.....	7	4375.....	9	440812.....	9	4596.....	35
4108.....	4	4165S2.....	4	4304.....	7	4376.....	9	440813.....	9	4600.....	12
4109.....	4	41655S2.....	4	4305.....	7	4377.....	9	440814.....	9	4601.....	12
4109S2.....	4	4166.....	4	4306.....	7	4378.....	9	440815.....	9	4602.....	12
4110.....	4	4166S2.....	4	4311.....	7	4379.....	9	4409.....	9	4603.....	12
4111.....	4	4167.....	4	4312.....	7	4380.....	9	4411.....	10	4604.....	12
4112.....	4	4168.....	4	4313.....	7	4381.....	9	4412.....	10	4605.....	12
4115.....	4	4168S2.....	4	4314.....	7	4382.....	9	4413.....	10	4606.....	12
4116.....	4	4169.....	4	4315.....	7	4383.....	9	4414.....	10	4607.....	12
4117.....	4	4170.....	4	4316.....	7	4384.....	9	4415.....	10	4608.....	12
4118.....	4	4171.....	4	4322.....	7	4385.....	9	4416.....	10	4609.....	12
4118S2.....	4	4171S2.....	4	4323.....	7	4386.....	9	4417.....	10	4610.....	12
4118SS2.....	4	4172.....	4	4324.....	7	4387.....	9	4418.....	10	4612.....	12
4119.....	4	4172S2.....	4	4325.....	7	4388.....	9	4419.....	10	4614.....	12
4119S2.....	4	4173.....	4	4326.....	7	4389.....	9	4420.....	10	4615.....	12
4120.....	4	4173SS2.....	4	4327.....	7	4390.....	9	4421.....	10	4616.....	12
4121.....	4	4174.....	4	4328.....	7	4391.....	9	4422.....	10	4617.....	12
4121S2.....	4	4175.....	4	4329.....	7	4392.....	9	4423.....	10	4618.....	12
4122.....	4	4175SS2.....	4	4330.....	7	4393.....	9	4424.....	10	4619.....	13
4123.....	4	4176.....	4	4331.....	7	4394.....	9	4430.....	10	4620.....	13
4124.....	4	4176SS2.....	4	4332.....	7	4395.....	9	4431.....	10	4621.....	13
4124S2.....	4	4180.....	5	4333.....	7	4396.....	9	4432.....	10	4622.....	14
4125.....	4	4181.....	5	4334.....	7	4397.....	9	4434.....	10	4623.....	14
4125S2.....	4	4182.....	5	4335.....	7	4398.....	9	4435.....	10	4624.....	12
4126.....	4	4183.....	5	4336.....	7	4399.....	9	4436.....	10	4625.....	13
4126SS2.....	4	4184.....	5	4337.....	7	4400.....	9	4437.....	10	4626.....	14
4127.....	4	4185.....	5	4340.....	8	4401.....	9	4438.....	10	4627.....	13
4127SS2.....	4	4186.....	5	4341.....	8	4402.....	9	4439.....	10	4628.....	13
4128.....	4	4187.....	5	4342.....	8	4403.....	9	4441.....	10	4629.....	14
4128SS2.....	4	41872.....	5	4343.....	8	4404.....	9	4442.....	10	4630.....	14
4130.....	4	41874.....	5	4344.....	8	4405.....	9	4443.....	10	4631.....	14
4131.....	4	4188.....	4	4345.....	8	4406.....	9	4444.....	10	4633.....	14
4132.....	4	4190.....	4	4346.....	8	4407.....	9	4445.....	10	4641.....	15
4133.....	4	4191.....	4	4347.....	8	440701.....	9	4446.....	10	4642.....	15
4133S2.....	4	4192.....	4	4348.....	8	440702.....	9	4447.....	10	4643.....	15
4133SS2.....	4	4193.....	4	4349.....	8	440703.....	9	4448.....	10	4645.....	15
4134.....	4	4195.....	4	4350.....	8	440704.....	9	4449.....	10	4646.....	15
4134S2.....	4	4196.....	4	4351.....	8	440705.....	9	4450.....	10	4647.....	15
4135.....	4	4197.....	4	4352.....	8	440706.....	9	4451.....	10	4648.....	15
4136.....	4	4198.....	4	4353.....	8	440707.....	9	4452.....	10	4649.....	15
4136S2.....	4	4199.....	4	4354.....	8	440708.....	9	4453.....	10	4650.....	16
4137.....	4	4202.....	4	4355.....	8	440709.....	9	4454.....	10	4651.....	16
4138.....	4	4203.....	4	4356.....	8	440710.....	9	4455.....	10	4652.....	15
4139.....	4	4204.....	4	4357.....	8	440711.....	9	4456.....	10	4653.....	16
4139S2.....	4	4205.....	4	4358.....	8	440712.....	9	4458.....	10	4654.....	16
4140.....	4	4208.....	4	4359.....	8	440713.....	9	4481.....	11	4655L.....	16
4142.....	4	4209.....	4	4360.....	8	440714.....	9	4482.....	11	4655R.....	16
4143.....	4	4210.....	4	4361.....	8	440715.....	9	4483.....	11	4657.....	16
4144.....	4	4211.....	4	4362.....	8	440716.....	9	4484.....	11	4658.....	17
4145.....	4	4212.....	4	4363.....	8	4408.....	9	4485.....	11	4659.....	17
4145EZ.....	5	423416.....	5	4364.....	8	440801.....	9	4486.....	11	4660.....	17
4146.....	4	423420.....	5	4365.....	8	440802.....	9	4487.....	11	4661.....	17
4147.....	4	423424.....	5	4366.....	8	440803.....	9	4488.....	11	4662.....	17

# INDEX

P/N	PAGE	P/N	PAGE	P/N	PAGE	P/N	PAGE	P/N	PAGE
4663.....	17	47296.....	23	478506L.....	31	479636.....	34	486313.....	41
4664.....	17	4730.....	23	478506R.....	31	4803.....	44	486314.....	41
4665L.....	16	4736L.....	24	478508L.....	31	4804.....	44	4866L.....	41
4665R.....	16	4736R.....	24	478508R.....	31	4805.....	44	4866R.....	41
4666L.....	17	4737L.....	25	478510L.....	31	4806.....	44	4867.....	41
4666R.....	17	4737R.....	25	478510R.....	31	4807.....	44	4869.....	37
467615.....	18	4738.....	26	478512L.....	31	4808.....	44	4870.....	37
467630.....	18	4739.....	26	478512R.....	31	4809.....	44	4871.....	37
467645.....	18	4740.....	24	478514L.....	31	4810.....	44	4872.....	37
467660.....	18	4741L.....	25	478514R.....	31	4815.....	43	4873.....	37
467745.....	18	4741R.....	25	478516L.....	31	4816.....	43	4880-3.....	39
467760.....	18	4742L.....	25	478516R.....	31	4817.....	43	4890.....	39
467845.....	18	4742R.....	25	478518L.....	31	4818.....	43	4891.....	39
467860.....	18	4743.....	26	478518R.....	31	4819.....	43	4892.....	39
467915.....	18	4744.....	26	478520L.....	31	4820.....	43	4893.....	39
467930.....	18	4745.....	26	478520R.....	31	4821.....	43	4894.....	39
467945.....	18	4746.....	26	478522L.....	31	48213.....	43	4895.....	38
467960.....	18	4747.....	26	478522R.....	31	4822.....	43	4896.....	38
467967.....	18	4748.....	26	478524L.....	31	4823.....	43	4897.....	38
467975.....	18	4749.....	26	478524R.....	31	4824.....	43	4898.....	38
4681.....	19	4750L.....	27	478526L.....	31	4825.....	43	4899.....	38
46823.....	19	4750R.....	27	478526R.....	31	4826.....	43	4900.....	38
46824.....	19	4751.....	27	478528L.....	31	4828.....	45	4901.....	38
46825.....	19	4752.....	27	478528R.....	31	4829.....	45	4902.....	38
46826.....	19	4753.....	27	478530L.....	31	4830.....	45	4905.....	40
4683.....	19	4754.....	27	478530R.....	31	4831.....	45	4906.....	40
4684.....	19	4755L.....	24	478606.....	32	4841.....	35	4907.....	40
4685.....	19	4755R.....	24	478612.....	32	4842.....	35	4908.....	40
4696.....	20	4756L.....	25	478618.....	32	4843.....	35	4910.....	40
4697.....	20	4756R.....	25	478624.....	32	4844.....	35	4911.....	40
4698.....	20	4757.....	24	478706.....	32	4845.....	35	4912.....	40
4699.....	20	4766.....	29	478712.....	32	4853F.....	35	4930.....	5
4700.....	20	4767.....	28	478806.....	32	4853FF.....	35	5103.....	42
4701.....	20	4768.....	28	478812.....	32	4853M.....	35	5104.....	42
4702.....	20	4769.....	28	478918.....	32	4853MF.....	35	5105.....	42
4703.....	20	4770.....	28	478924.....	32	4854F.....	35	5106.....	42
4704.....	20	4771.....	28	479006.....	33	4854FF.....	35	5107.....	42
47046.....	21	4772.....	28	479012.....	33	4854M.....	35	5113.....	42
4705.....	21	4773.....	28	479018.....	33	4854MF.....	35	5114.....	42
4706.....	21	4774.....	28	479024.....	33	4857.....	5	5115.....	42
4707.....	21	4775.....	29	479112.....	33	4858.....	36	5116.....	42
47084-5.....	21	4776.....	29	479118.....	33	485903.....	36	5130.....	42
47092.....	21	4777.....	29	479124.....	33	485904.....	36	5203.....	43
47093.....	21	4778.....	29	479130.....	33	485906.....	36	5204.....	43
47095.....	21	478136.....	30	479136.....	33	485908.....	36	5205.....	43
47096.....	21	478142.....	30	479142.....	33	485910.....	36	5206.....	43
47097.....	21	478148.....	30	479224.....	33	485912.....	36	5207.....	43
47102.....	23	478154.....	30	479230.....	33	4860.....	36	5213.....	43
4713.....	22	478160.....	30	479236.....	33	4861.....	36	5214.....	43
4714.....	22	478172.....	30	479242.....	33	486301.....	41	5215.....	43
4715.....	22	478312.....	30	479248.....	33	486302.....	41	5216.....	43
4716.....	22	478316.....	30	479306.....	33	486303.....	41	5718-104 THRU	
4717.....	22	478318.....	30	479312.....	33	486304.....	41	5718-1924.....	47
4718.....	22	478324.....	30	479318.....	33	486305.....	41	5780.....	11
4721.....	23	478408.....	31	479324.....	33	486306.....	41	5781.....	11
4722.....	23	478410.....	31	4794.....	34	486307.....	41	TR042006-	
4723.....	23	478412.....	31	4795.....	34	486308.....	41	TR20712.....	46
4724.....	23	478414.....	31	479612.....	34	486309.....	41		
4725.....	23	478416.....	31	479618.....	34	486310.....	41		
4726.....	23	478418.....	31	479624.....	34	486311.....	41		
4727.....	23	478420.....	31	479630.....	34	486312.....	41		

